



Dino Safety Product Co.,Ltd.

96/175, Moo 6, Laharn, Bangbuathong
Nonthaburi 11110, Thailand

Email: admin@dinosafety.asia



EYE WASHER



◀ CATALOGUE ▶



Wall Mounted Eye Wash

01-04



Stand Eye Wash

05-12



Combination Eye Wash and Shower

13-32



Explosion Proof with Cable Heated Freeze Resistant Eye Wash/Shower

33-38



Portable Eye Wash

39-46



Rapid Response Portable Decontamination Shower

47-48



Deck Mounted Eye Wash

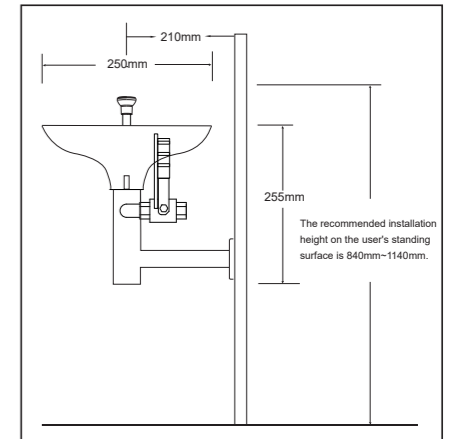
49-51



Accessories

52-54

Wall Mounted Eye Wash



BD-508A Wall Mounted Eye Wash

MATERIAL: Eye wash main body is made of 304 stainless steel

VALVE: Eye wash valve is made of 1/2" 304 stainless steel ball valve

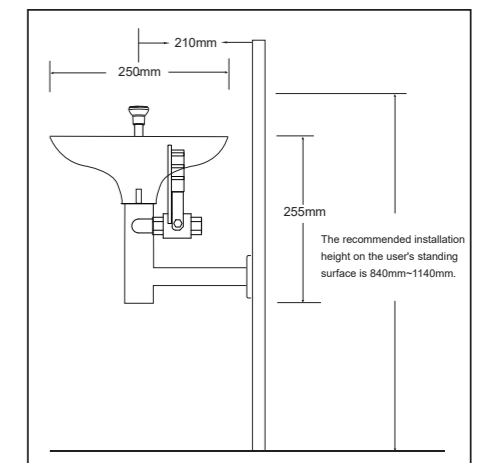
SUPPLY: 1/2" FNPT **WASTE:** 1 1/4" MNPT **EYE WASH FLOW:** ≥11.4L/Min **HYDRAULIC PRESSURE:** 0.2MPA-0.6MPA

ORIGINAL WATER: Drinking water or filtered water

USING ENVIRONMENT: Places where has hazardous substance splashing such as chemicals, hazardous liquids solid, gas and other contaminated environment where may be burning.

SPECIAL NOTE: If the acid concentration is too high, recommend to usen 316 stainless steel. When using ambient temperature below 0°C, use antifreeze eye wash.

Standard: ANSI Z358.1-2014



BD-508B Wall Mounted Eye Wash

MATERIAL: Eye wash main body is made of 304 stainless steel

VALVE: Eye wash valve is made of 1/2" 304 stainless steel ball valve

SUPPLY: 1/2" FNPT **WASTE:** 1 1/4" MNPT **EYE WASH FLOW:** ≥11.4L/Min **HYDRAULIC PRESSURE:** 0.2MPA-0.6MPA

ORIGINAL WATER: Drinking water or filtered water

USING ENVIRONMENT: Places where has hazardous substance splashing such as chemicals, hazardous liquids solid, gas and other contaminated environment where may be burning.

SPECIAL NOTE: If the acid concentration is too high, recommend to usen 316 stainless steel. When using ambient temperature below 0°C, use antifreeze eye wash.

Standard: ANSI Z358.1-2014



BD-508C Wall Mounted Eye Wash

MATERIAL: Eye wash main body is made of 304 stainless steel

VALVE: Eye wash valve is made of 1/2" 304 stainless steel ball valve

SUPPLY: 1/2" FNPT **WASTE:** 1 1/4" MNPT **EYE WASH FLOW:** ≥11.4L/Min **HYDRAULIC PRESSURE:** 0.2MPA-0.6MPA

ORIGINAL WATER: Drinking water or filtered water

USING ENVIRONMENT: Places where has hazardous substance splashing such as chemicals, hazardous liquids solid, gas and other contaminated environment where may be burning.

SPECIAL NOTE: If the acid concentration is too high, recommend to usen 316 stainless steel. When using ambient temperature below 0°C, use antifreeze eye wash.

Standard: ANSI Z358.1-2014



BD-508D Wall Mounted Eye Wash

MATERIAL: Eye wash main body is made of 304 stainless steel

VALVE: Eye wash valve is made of 1/2" 304 stainless steel ball valve

SUPPLY: 1/2" FNPT **WASTE:** 1 1/4" MNPT **EYE WASH FLOW:** ≥11.4L/Min **HYDRAULIC PRESSURE:** 0.2MPA-0.6MPA

ORIGINAL WATER: Drinking water or filtered water

USING ENVIRONMENT: Places where has hazardous substance splashing such as chemicals, hazardous liquids solid, gas and other contaminated environment where may be burning.

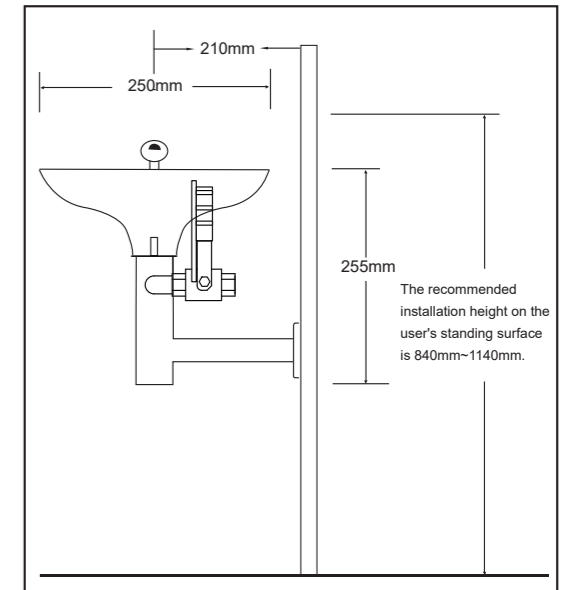
SPECIAL NOTE: If the acid concentration is too high, recommend to usen 316 stainless steel. When using ambient temperature below 0°C, use antifreeze eye wash.

Standard: ANSI Z358.1-2014

BD-508G Wall Mounted Eye Wash



BD-508G ABS Wall-mounted Eyewash Station, ABS material main body with ABS eyewash bowl & nozzles



MATERIAL: Eye wash main body is made of ABS

VALVE: Eye wash valve is made of 1/2" ABS ball valve

SUPPLY: 1/2" FNPT **WASTE:** 1 1/4" MNPT **EYE WASH FLOW:** ≥11.4L/Min **HYDRAULIC PRESSURE:** 0.2MPA-0.6MPA

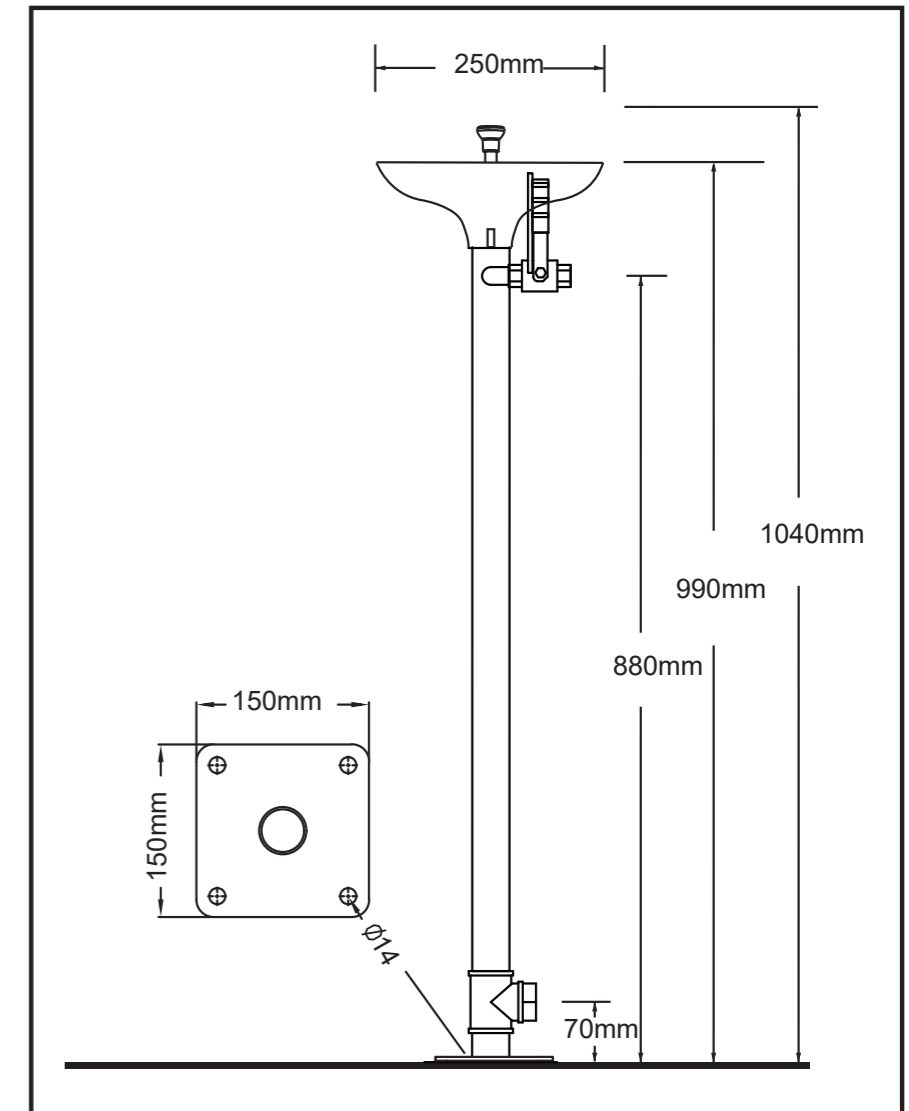
ORIGINAL WATER: Drinking water or filtered water

USING ENVIRONMENT: Places where has hazardous substance splashing such as chemicals, hazardous liquids solid, gas and other contaminated environment where may be burning.

SPECIAL NOTE: If the acid concentration is too high, recommend to usen 316 stainless steel. When using ambient temperature below 0°C, use antifreeze eye wash.

Standard: ANSI Z358.1-2014

Stand Eye Wash



BD-540C Stand Eye Wash

MATERIAL: Eye wash main body is made of 304 stainless steel

VALVE: Eye wash valve is made of 1/2" 304 stainless steel ball valve

SUPPLY: 1/2" FNPT **WASTE:** 1 1/4" FNPT

EYE WASH FLOW: $\geq 11.4\text{L/Min}$ **HYDRAULIC PRESSURE:** 0.2MPA-0.6MPA **ORIGINAL WATER:** Drinking water or filtered water

USING ENVIRONMENT: Places where has hazardous substance splashing, such as chemicals, hazardous liquids, solid, gas and other contaminated environment where may be burning.

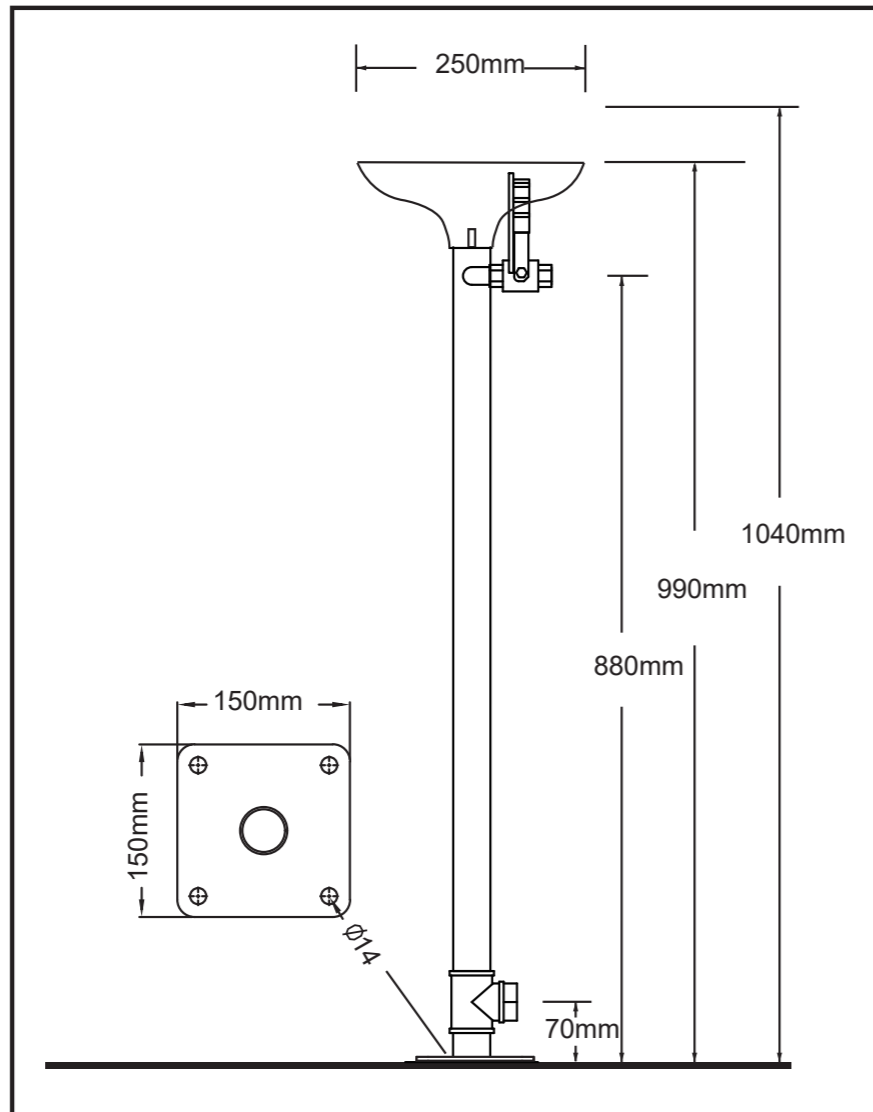
SPECIAL NOTE: 1. If the acid concentration is too high, recommend to use 316 stainless steel.

2. When using ambient temperature below 0°C , use antifreeze eye wash.

3. The eye wash & shower is made of high quality 304 stainless steel.

4. Can install anti-scalding device to avoid the media temperature is too high in the pipe after the sun exposure and cause user scalding. The standard anti-scalding temperature is 35°C .

Standard: ANSI Z358.1-2014



BD-540A Stand Eye Wash

MATERIAL: Eye wash main body is made of 304 stainless steel

VALVE: Eye wash valve is made of 1/2" 304 stainless steel ball valve

SUPPLY: 1/2" FNPT **WASTE:** 1 1/4" FNPT

EYE WASH FLOW: $\geq 11.4\text{L/Min}$ **HYDRAULIC PRESSURE:** 0.2MPA-0.6MPA **ORIGINAL WATER:** Drinking water or filtered water

USING ENVIRONMENT: Places where has hazardous substance splashing, such as chemicals, hazardous liquids, solid, gas and other contaminated environment where may be burning.

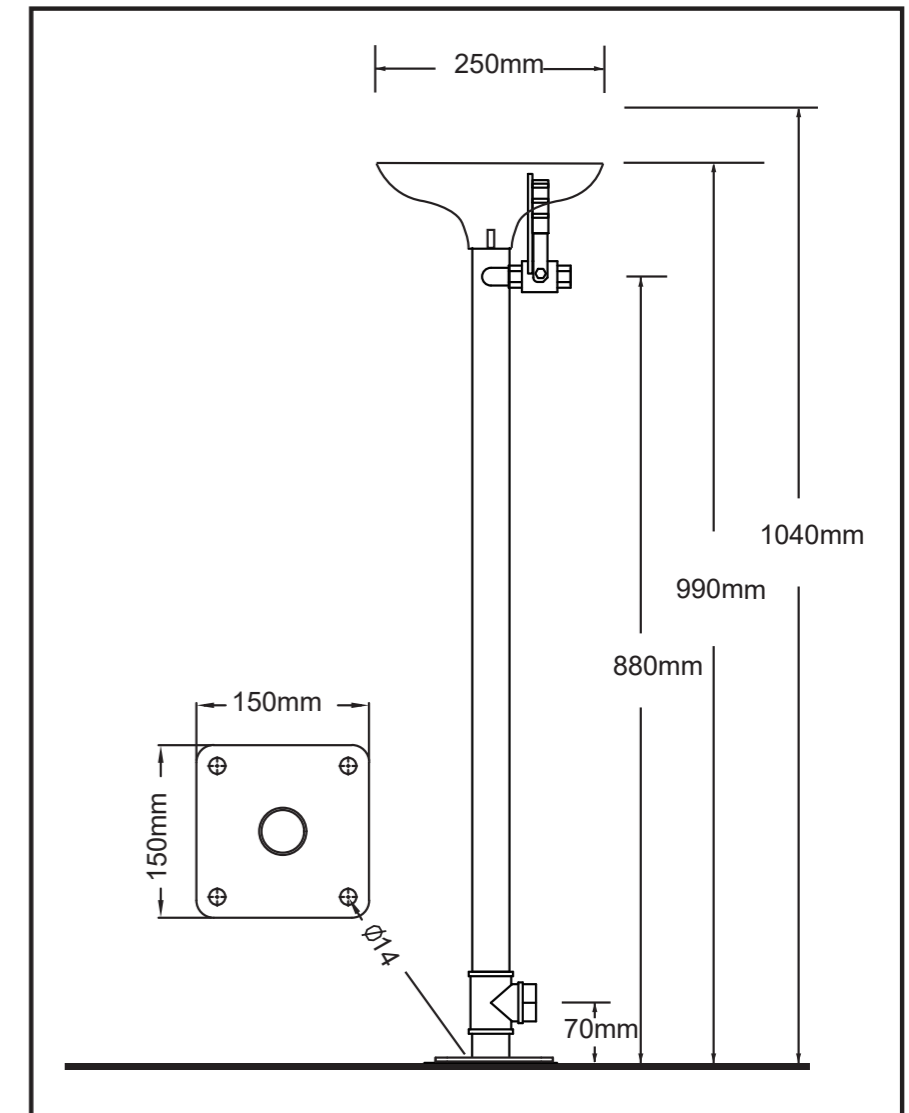
SPECIAL NOTE: 1. If the acid concentration is too high, recommend to use 316 stainless steel.

2. When using ambient temperature below 0°C, use antifreeze eye wash.

3. The eye wash & shower is made of high quality 304 stainless steel.

4. Can install anti-scalding device to avoid the media temperature is too high in the pipe after the sun exposure and cause user scalding. The standard anti-scalding temperature is 35°C.

Standard: ANSI Z358.1-2014



BD-540E Stand Eye Wash

MATERIAL: Eye wash main body is made of 304 stainless steel

VALVE: Eye wash valve is made of 1/2" 304 stainless steel ball valve

SUPPLY: 1/2" FNPT **WASTE:** 1 1/4" FNPT

EYE WASH FLOW: $\geq 11.4\text{L/Min}$ **HYDRAULIC PRESSURE:** 0.2MPA-0.6MPA **ORIGINAL WATER:** Drinking water or filtered water

USING ENVIRONMENT: Places where has hazardous substance splashing, such as chemicals, hazardous liquids, solid, gas and other contaminated environment where may be burning.

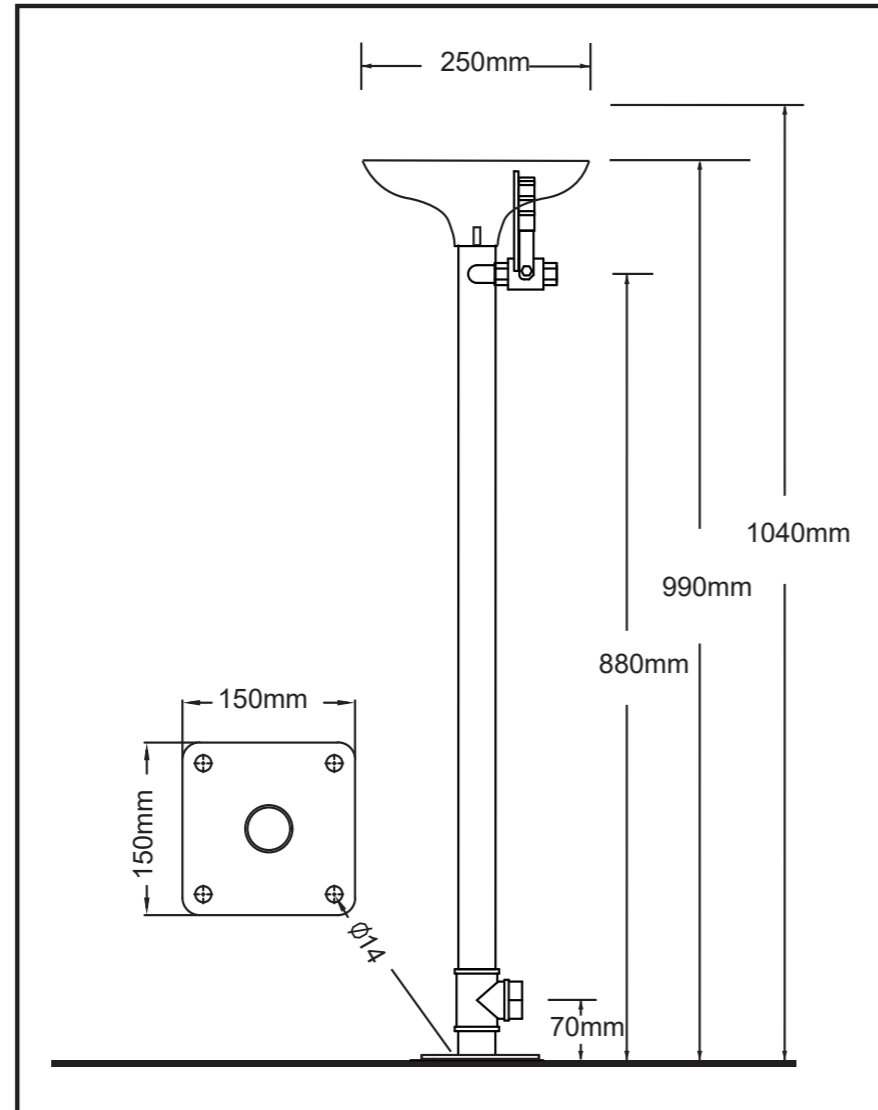
SPECIAL NOTE: 1. If the acid concentration is too high, recommend to use 316 stainless steel.

2. When using ambient temperature below 0°C, use antifreeze eye wash.

3. The eye wash & shower is made of high quality 304 stainless steel.

4. Can install anti-scalding device to avoid the media temperature is too high in the pipe after the sun exposure and cause user scalding. The standard anti-scalding temperature is 35°C.

Standard: ANSI Z358.1-2014



BD-540F Stand Eye Wash

MATERIAL: Eye wash main body is made of 304 stainless steel

VALVE: Eye wash valve is made of 1/2" 304 stainless steel ball valve

SUPPLY: 1/2" FNPT **WASTE:** 1 1/4" FNPT

EYE WASH FLOW: $\geq 11.4\text{L/Min}$ **HYDRAULIC PRESSURE:** 0.2MPA-0.6MPA **ORIGINAL WATER:** Drinking water or filtered water

USING ENVIRONMENT: Places where has hazardous substance splashing, such as chemicals, hazardous liquids, solid, gas and other contaminated environment where may be burning.

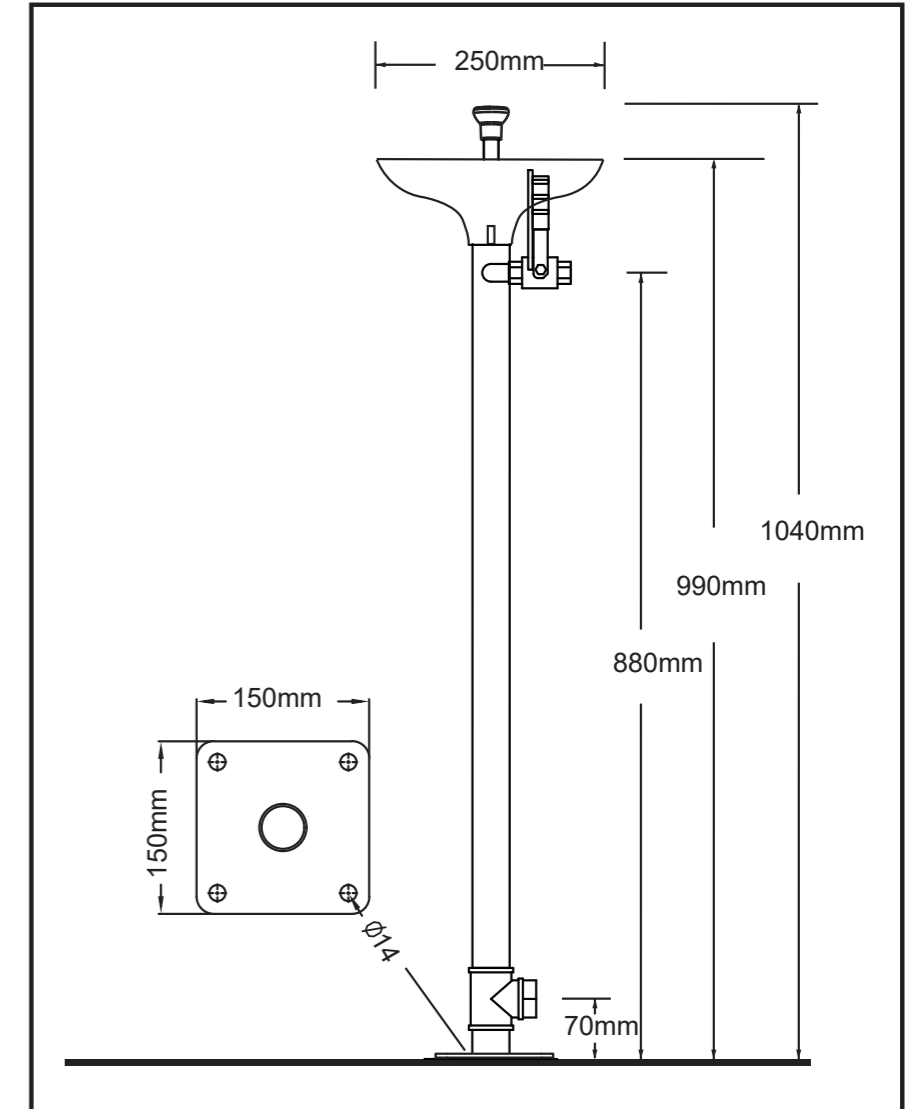
SPECIAL NOTE: 1. If the acid concentration is too high, recommend to use 316 stainless steel.

2. When using ambient temperature below 0°C, use antifreeze eye wash.

3. The eye wash & shower is made of high quality 304 stainless steel.

4. Can install anti-scalding device to avoid the media temperature is too high in the pipe after the sun exposure and cause user scalding. The standard anti-scalding temperature is 35°C.

Standard: ANSI Z358.1-2014



BD-540N Stand Eye Wash

MATERIAL: Eye wash main body is made of 304 stainless steel

VALVE: Eye wash valve is made of 1/2" 304 stainless steel ball valve

SUPPLY: 1/2" FNPT **WASTE:** 1 1/4" FNPT

EYE WASH FLOW: $\geq 11.4\text{L/Min}$ **HYDRAULIC PRESSURE:** 0.2MPA-0.6MPA **ORIGINAL WATER:** Drinking water or filtered water

USING ENVIRONMENT: Places where has hazardous substance splashing, such as chemicals, hazardous liquids, solid, gas and other contaminated environment where may be burning.

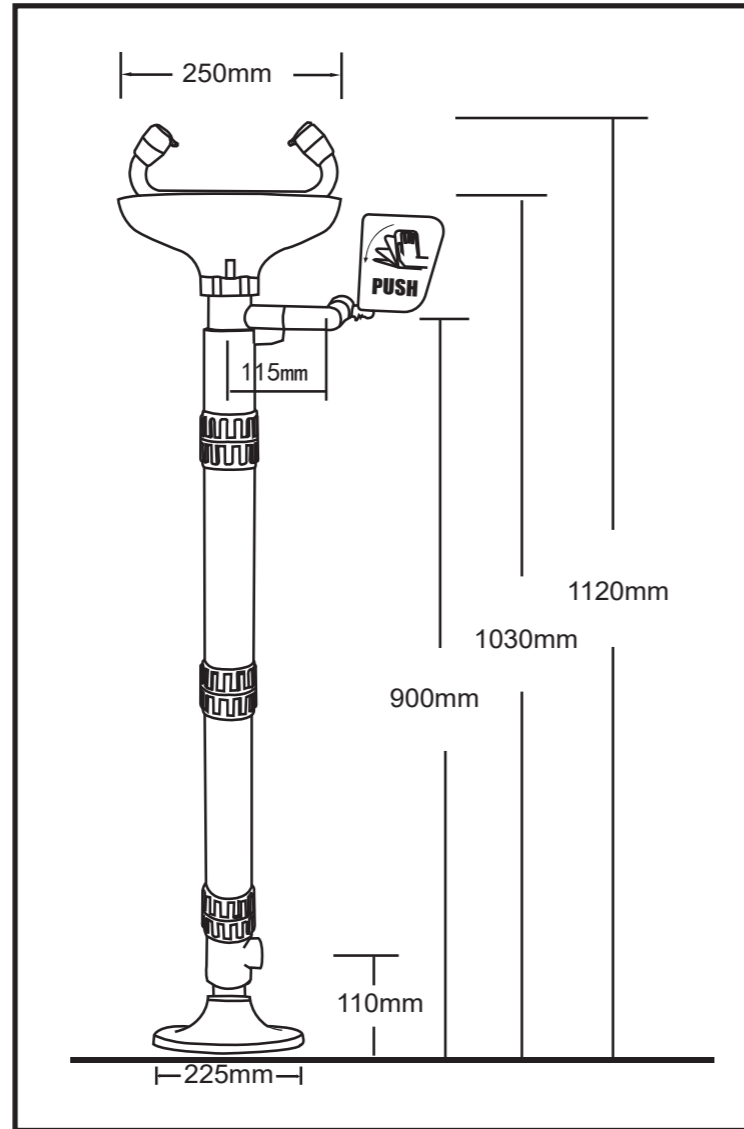
SPECIAL NOTE: 1. If the acid concentration is too high, recommend to use 316 stainless steel.

2. When using ambient temperature below 0°C, use antifreeze eye wash.

3. The eye wash & shower is made of high quality 304 stainless steel.

4. Can install anti-scalding device to avoid the media temperature is too high in the pipe after the sun exposure and cause user scalding. The standard anti-scalding temperature is 35°C.

Standard: ANSI Z358.1-2014



BD-540B ABS Stand Eye Wash

VALVE: Eye wash valve is made of 1/2" corrosion resistant brass spool

SUPPLY: 1/2" FNPT

WASTE: 1 1/4" FNPT

EYE WASH FLOW: ≥ 11.4L/Min

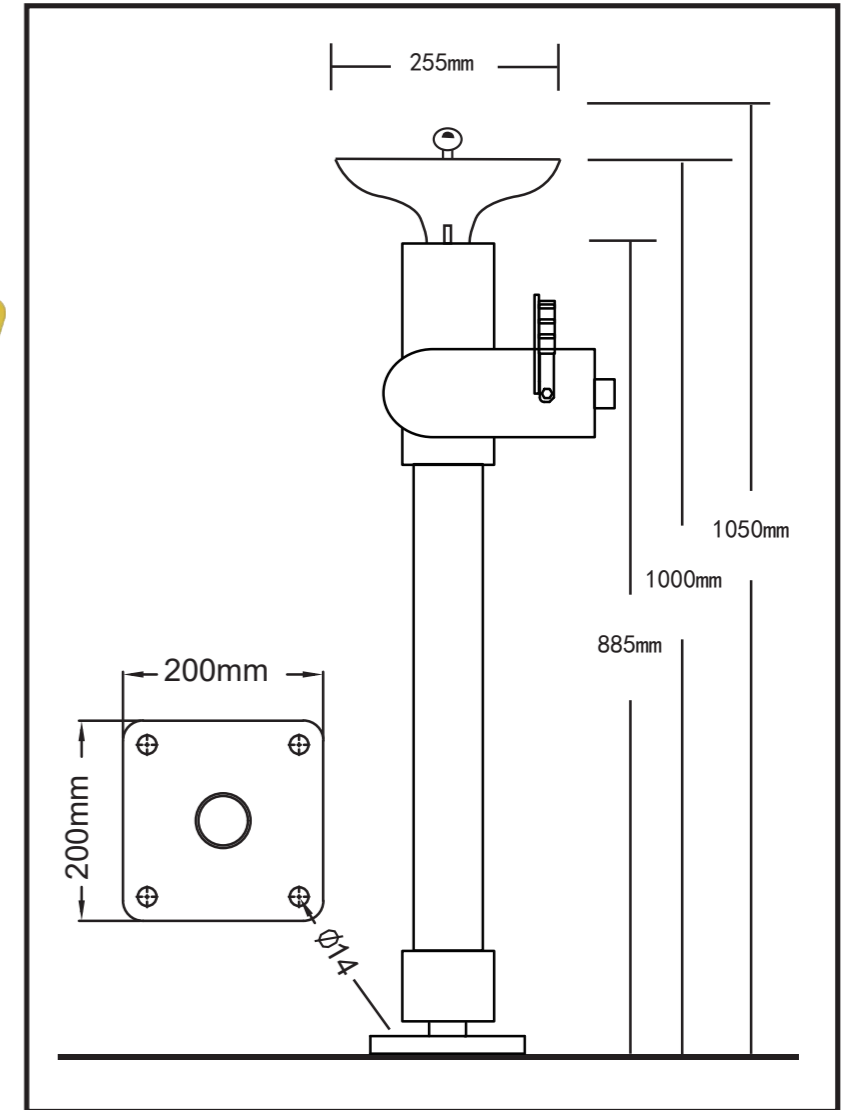
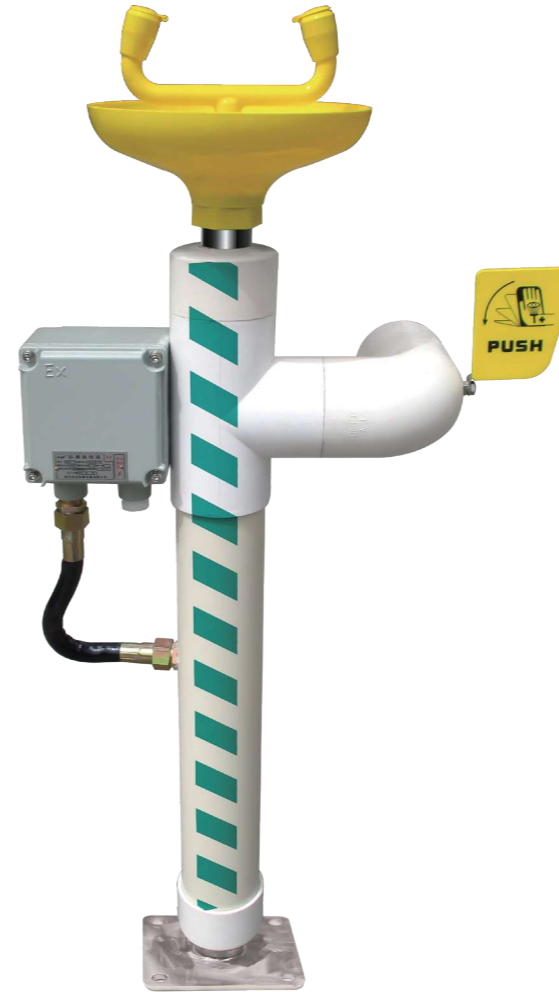
HYDRAULIC PRESSURE: 0.2MPA-0.4MPA

ORIGINAL WATER: Drinking water or filtered water

USING ENVIRONMENT: Places where has hazardous substance splashing, such as chemicals, hazardous liquids, solid, gas and other contaminated environment where may be burning.

SPECIAL NOTE: The best using ambient temperature is above 10°C. If the acid concentration is too high, recommend to use SS316.

Standard: ANSI Z358.1-2014



BD-540D Cable Heated Stand Eye Wash

VALVE: Eye wash valve is made of 1/2" 304 stainless steel ball valve

SUPPLY: 1/2" MNPT

WASTE: 1 1/4" FNPT

EYE WASH FLOW: ≥ 11.4 L/Min

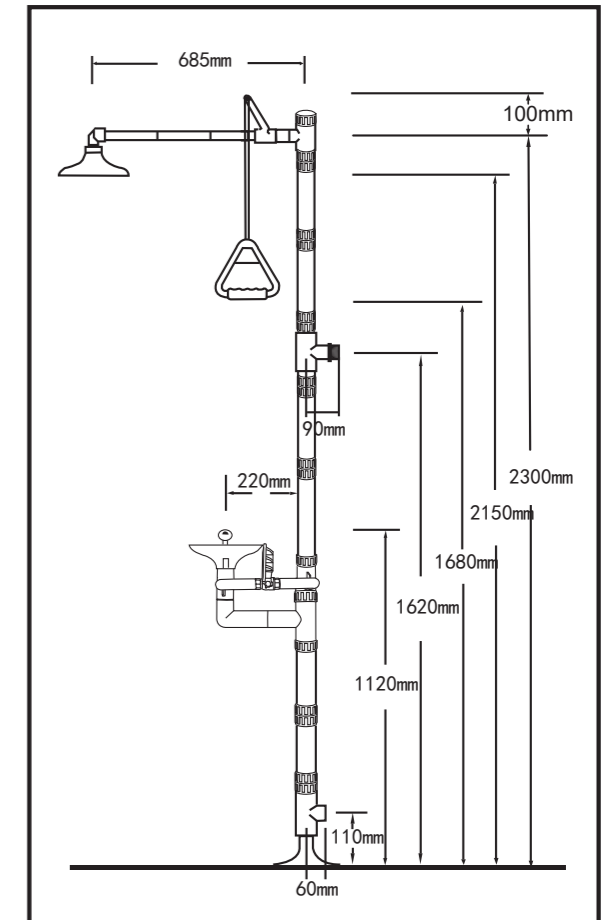
HYDRAULIC PRESSURE: 0.2MPA-0.6MPA

ORIGINAL WATER: Drinking water or filtered water

USING ENVIRONMENT: Places where has hazardous substance splashing, such as chemicals, hazardous liquids, solid, gas and so on. This eye wash is used in flammable environment or explosion proof area, the standard product explosion-proof mark is Exe II T6. According to the environment to customize the corresponding explosion proof grade, slightly different appearance in kind prevail.

Standard: ANSI Z358.1-2014

Combination Eye Wash and Shower



BD-510 ABS Eye Wash

The whole body is made of high quality ABS, better corrosion resistance, economical. Warning yellow, eye-catching.

HEAD: 10" ABS, warning yellow **EYE WASH NOZZLE:** ABS spraying with 10" ABS waste water recycle bowl, warning yellow

SHOWER VALVE: 1" 304 stainless steel ball valve **EYE WASH VALVE:** 1/2" corrosion resistant brass spool

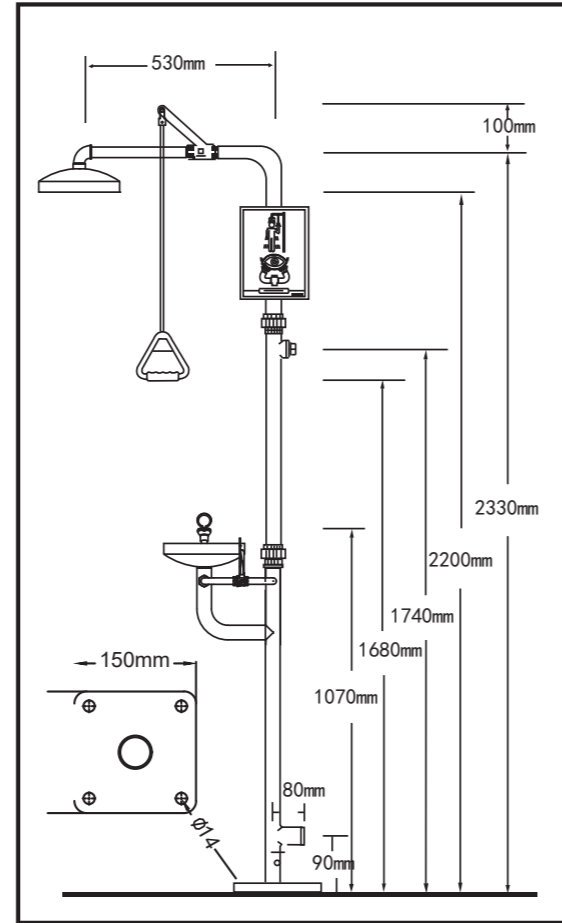
SUPPLY: 1" MNPT **WASTE:** 1 1/4" FNPT **EYE WASH FLOW:** ≥11.4 L/Min, shower flow ≥75.7 L/Min

HYDRAULIC PRESSURE: 0.2MPA-0.4MPA **ORIGINAL WATER:** Drinking water or filtered water

USING ENVIRONMENT: Places where has hazardous substance splashing, such as chemicals, hazardous liquids, solid, gas and other contaminated environment where may be burning.

SPECIAL NOTE: The best using ambient temperature is above 10°C. If the acid

concentration is too high, recommend to use 316 stainless steel. **Standard:** ANSI Z358.1-2014



BD-530 Higher Stainless Steel Combination Eye Wash & Shower

Eye Wash/Shower main material is SS304, The beautiful appearance is particularly suited to laboratories, hospitals and other places where the environment is of a high standard.

HEAD: 10" 304 stainless steel **EYE WASH NOZZLE:** Green ABS spraying with 10" waste water recycle bowl

SHOWER VALVE: 1" 304 stainless steel ball valve **EYE WASH VALVE:** 1/2" 304 stainless steel ball valve

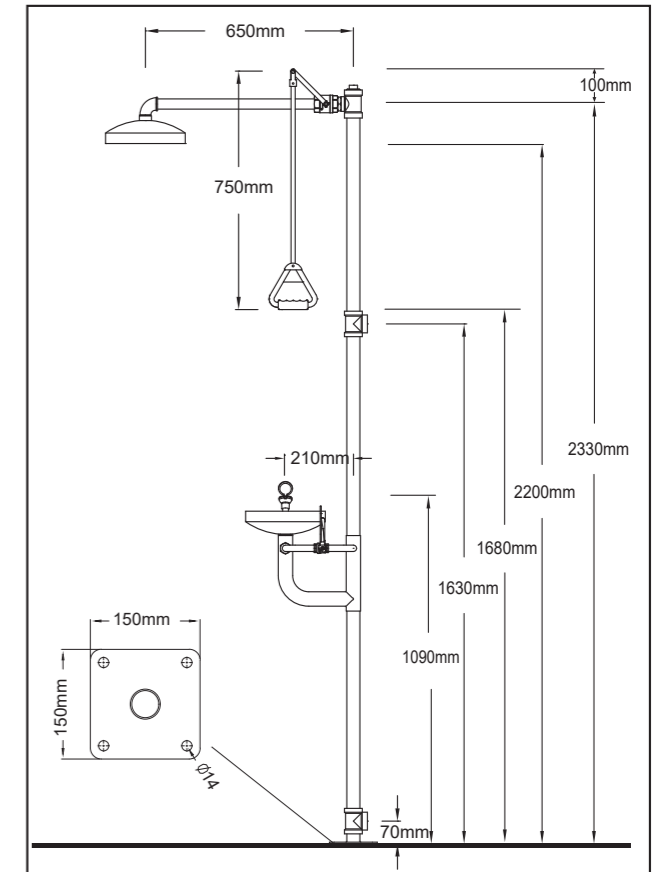
SUPPLY: 1" FNPT **WASTE:** 1" FNPT **EYE WASH FLOW:** ≥ 11.4 L/Min, **SHOWER FLOW:** ≥ 75.7 L/Min

HYDRAULIC PRESSURE: 0.2MPA-0.6MPA **ORIGINAL WATER:** Drinking water or filtered water

USING ENVIRONMENT: Places where has hazardous substance splashing, such as chemicals, hazardous liquids, solid, gas and so on.

SPECIAL NOTE: If the acid concentration is too high, recommend to use 316 stainless steel. When using ambient temperature below 0°C, use antifreeze eye wash. Can install anti-scalding device to avoid the media temperature is too high in the pipe after the sun exposure and cause user scalding. The standard anti-scalding temperature is 35°C.

Standard: ANSI Z358.1-2014



BD-550A Stainless Steel Foot Control Combination Eye Wash/Shower

MATERIAL: Eye wash main body is made of 304 stainless steel

EYE WASH NOZZLE: ABS spraying with 10" waste water recycle bowl

SHOWER VALVE: 1" 304 stainless steel ball valve **EYE WASH VALVE:** 1/2" 304 stainless steel ball valve

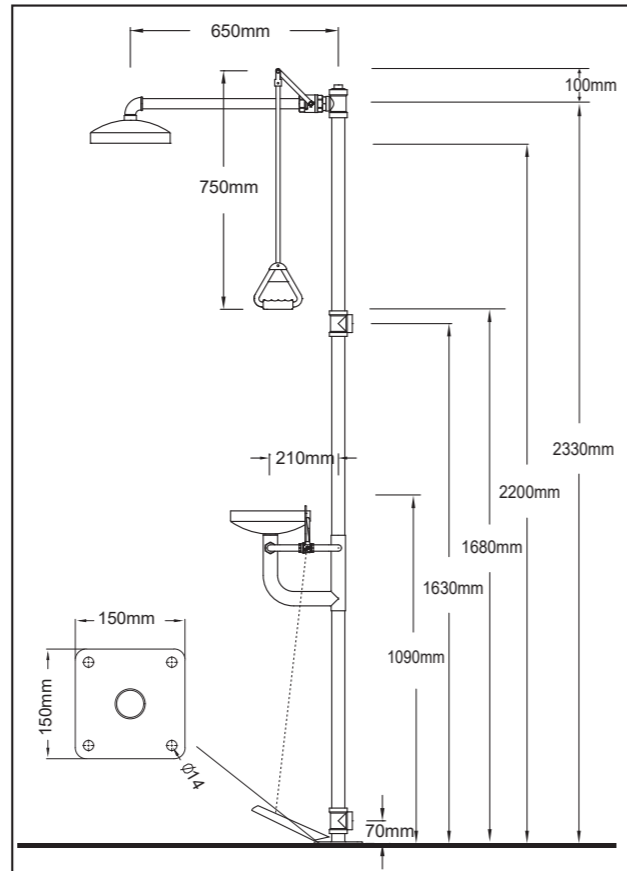
SUPPLY: 1 1/4" FNPT **WASTE:** 1 1/4" FNPT **EYE WASH FLOW:** ≥ 11.4 L/Min **SHOWER FLOW:** ≥ 75.7 L/Min

HYDRAULIC PRESSURE: 0.2MPA-0.6MPA **ORIGINAL WATER:** Drinking water or filtered water

USING ENVIRONMENT: Places where has hazardous substance splashing, such as chemicals, hazardous liquids, solid, gas and so on.

SPECIAL NOTE: 1. If the acid concentration is too high, recommend to use 316 stainless steel. 2. When using ambient temperature below 0°C, use antifreeze eye wash. 3. The eye wash & shower is made of high quality 304 stainless steel. 4. Can install anti-scalding device to avoid the media temperature is too high in the pipe after the sun exposure and cause user scalding. The standard anti-scalding temperature is 35°C.

Standard: ANSI Z358.1-2014



BD-550B Stainless Steel Foot Control Combination Eye Wash/Shower

MATERIAL: Eye wash main body is made of 304 stainless steel **EYE WASH NOZZLE:** ABS spraying with 10" waste water recycle bowl

SHOWER VALVE: 1" 304 stainless steel ball valve **EYE WASH VALVE:** 1/2" 304 stainless steel ball valve

SUPPLY: 1 1/4" FNPT **WASTE:** 1 1/4" FNPT

EYE WASH FLOW: ≥ 11.4 L/Min **SHOWER FLOW:** ≥ 75.7 L/Min

HYDRAULIC PRESSURE: 0.2MPA-0.6MPA **ORIGINAL WATER:** Drinking water or filtered water

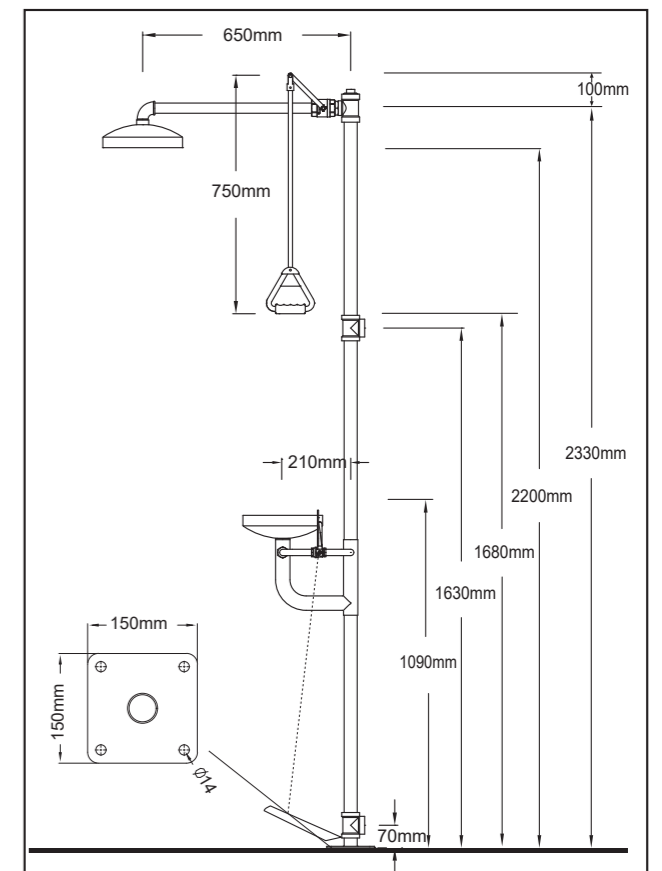
USING ENVIRONMENT: Places where has hazardous substance splashing, such as chemicals, hazardous liquids, solid, gas and so on.

SPECIAL NOTE: 1. If the acid concentration is too high, recommend to use 316 stainless steel.

2. When using ambient temperature below 0°C, use antifreeze eye wash.

3. The eye wash & shower is made of high quality 304 stainless steel.

4. Can install anti-scalding device to avoid the media temperature is too high in the pipe after the sun exposure and cause user scalding. The standard anti-scalding temperature is 35°C. **Standard: ANSI Z358.1-2014**



BD-550C Stainless Steel Foot Control Combination Eye Wash/Shower

MATERIAL: Eye wash main body is made of 304 stainless steel **EYE WASH NOZZLE:** ABS spraying with 10" waste water recycle bowl

SHOWER VALVE: 1" 304 stainless steel ball valve **EYE WASH VALVE:** 1/2" 304 stainless steel ball valve

SUPPLY: 1 1/4" FNPT **WASTE:** 1 1/4" FNPT

EYE WASH FLOW: ≥ 11.4 L/Min **SHOWER FLOW:** ≥ 75.7 L/Min

HYDRAULIC PRESSURE: 0.2MPA-0.6MPA **ORIGINAL WATER:** Drinking water or filtered water

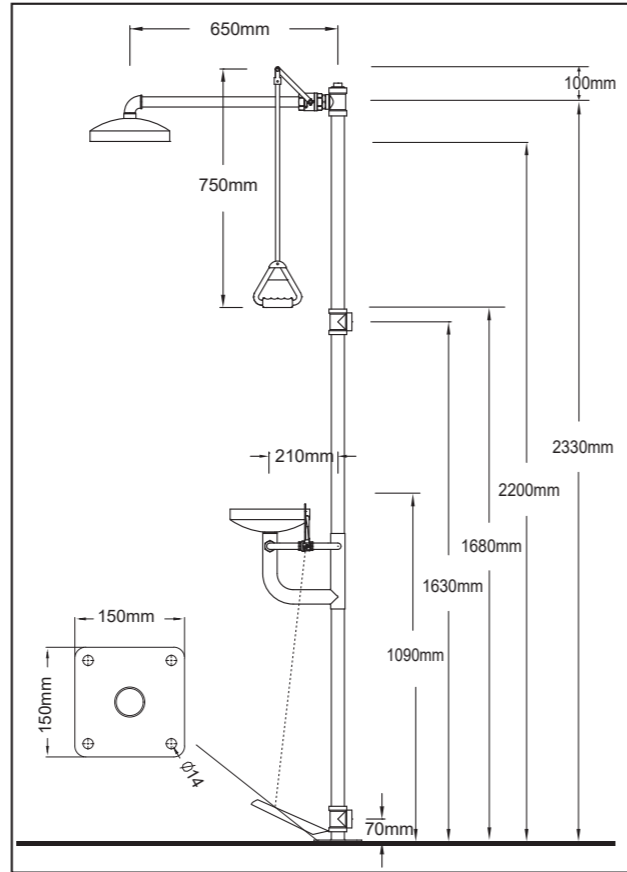
USING ENVIRONMENT: Places where has hazardous substance splashing, such as chemicals, hazardous liquids, solid, gas and so on.

SPECIAL NOTE: 1. If the acid concentration is too high, recommend to use 316 stainless steel.

2. When using ambient temperature below 0°C, use antifreeze eye wash.

3. The eye wash & shower is made of high quality 304 stainless steel.

4. Can install anti-scalding device to avoid the media temperature is too high in the pipe after the sun exposure and cause user scalding. The standard anti-scalding temperature is 35°C. **Standard: ANSI Z358.1-2014**



BD-550D Stainless Steel Foot Control Combination Eye Wash/Shower

MATERIAL: Eye wash main body is made of 304 stainless steel **EYE WASH NOZZLE:** ABS spraying with 10" waste water recycle bowl

SHOWER VALVE: 1" 304 stainless steel ball valve **EYE WASH VALVE:** 1/2" 304 stainless steel ball valve

SUPPLY: 1 1/4" FNPT **WASTE:** 1 1/4" FNPT

EYE WASH FLOW: ≥ 11.4 L/Min **SHOWER FLOW:** ≥ 75.7 L/Min

HYDRAULIC PRESSURE: 0.2MPA-0.6MPA **ORIGINAL WATER:** Drinking water or filtered water

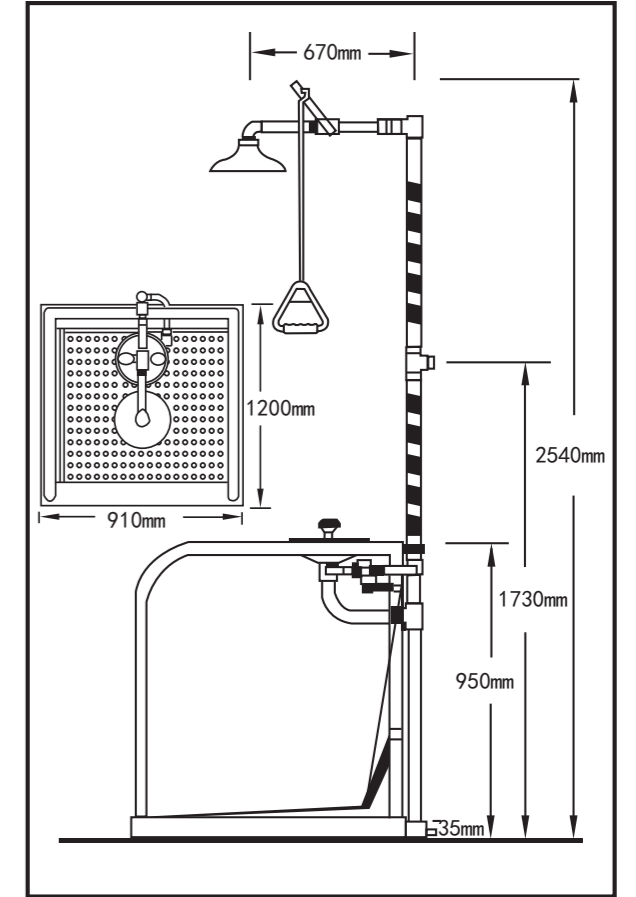
USING ENVIRONMENT: Places where has hazardous substance splashing, such as chemicals, hazardous liquids, solid, gas and so on.

SPECIAL NOTE: 1. If the acid concentration is too high, recommend to use 316 stainless steel.

2. When using ambient temperature below 0°C, use antifreeze eye wash.

3. The eye wash & shower is made of high quality 304 stainless steel.

4. Can install anti-scalding device to avoid the media temperature is too high in the pipe after the sun exposure and cause user scalding. The standard anti-scalding temperature is 35°C. **Standard: ANSI Z358.1-2014**



BD-550 Foot Control Stainless Steel Combination Eye Wash & Shower(with Platform)

MATERIAL: Eye wash main body is made of 304 stainless steel **EYE WASH NOZZLE:** ABS spraying with 10" waste water recycle bowl

SHOWER VALVE: 1" 304 stainless steel ball valve **EYE WASH VALVE:** 1/2" 304 stainless steel ball valve

SUPPLY: 1 1/4" FNPT **WASTE:** 1 1/4" FNPT

EYE WASH FLOW: ≥ 11.4 L/Min **SHOWER FLOW:** ≥ 75.7 L/Min

HYDRAULIC PRESSURE: 0.2MPA-0.6MPA **ORIGINAL WATER:** Drinking water or filtered water

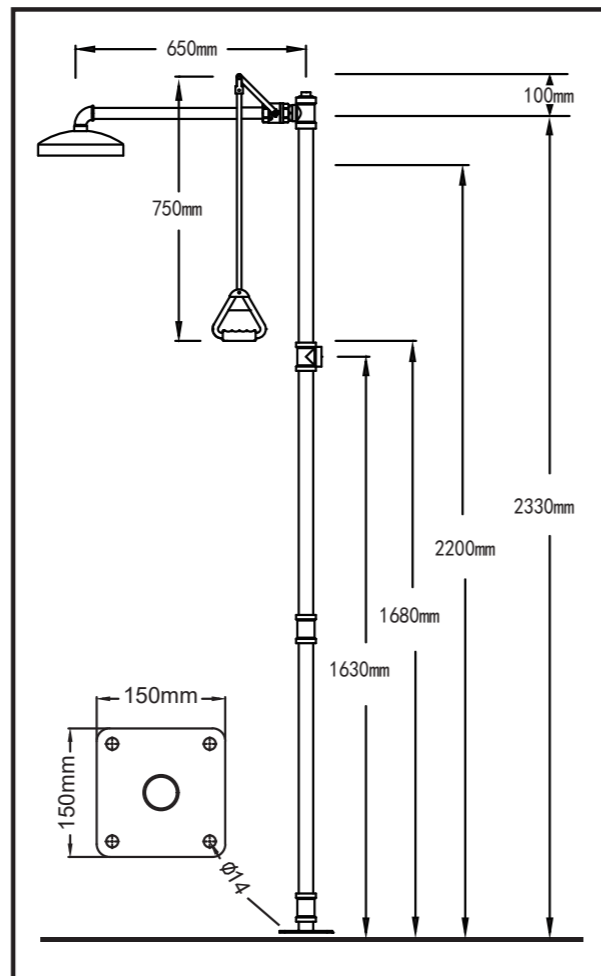
USING ENVIRONMENT: Places where has hazardous substance splashing, such as chemicals, hazardous liquids, solid, gas and so on.

SPECIAL NOTE: 1. If the acid concentration is too high, recommend to use 316 stainless steel.

2. When using ambient temperature below 0°C, use antifreeze eye wash.

3. The eye wash & shower is made of high quality 304 stainless steel.

4. Can install anti-scalding device to avoid the media temperature is too high in the pipe after the sun exposure and cause user scalding. The standard anti-scalding temperature is 35°C. **Standard: ANSI Z358.1-2014**



BD-560B Stainless Steel Shower

MATERIAL: Eye wash main body is made of 304 stainless steel

HEAD: 10" 304 stainless steel **SHOWER VALVE:** 1" 304 stainless steel ball valve

SUPPLY: 1 1/4" FNPT **HYDRAULIC PRESSURE:** 0.2MPA-0.6MPA

ORIGINAL WATER: Drinking water or filtered water

USING ENVIRONMENT: Places where has hazardous substance splashing, such as chemicals, hazardous liquids, solid, gas and so on.

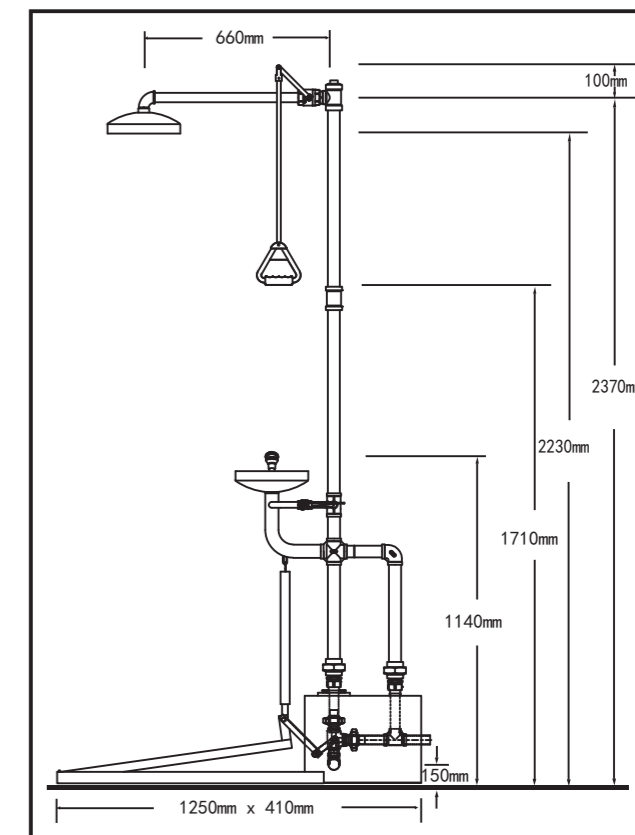
SPECIAL NOTE: 1. If the acid concentration is too high, recommend to use 316 stainless steel.

2. When using ambient temperature below 0°C, use antifreeze eye wash.

3. The eye wash & shower is made of high quality 304 stainless steel.

4. Can install anti-scalding device to avoid the media temperature is too high in the pipe after the sun exposure and cause user scalding. The standard anti-scalding temperature is 35°C.

Standard: ANSI Z358.1-2014



BD-560D Anti-freeze and Automatic Emptying Stainless Steel Combination Eye Wash & Shower

BD-560D anti-freeze and automatic emptying stainless steel combination eye wash & shower main body, foot pedal and the emptying box are all made of SS304. After use, the pedal of the eye wash will automatically return to its position, driving the emptying valve of the eye wash to close the water inlet and open the drain to achieve the effect of emptying and antifreeze.

Main pipe, valve, foot pedal and box are made of 304 stainless steel

HEAD: 10" 304 stainless steel **EYE WASH NOZZLE:** Green ABS spraying with 10" waste water recycle bowl

SHOWER VALVE: 1" 304 stainless steel ball valve **EYE WASH VALVE:** 1/2" 304 stainless steel ball valve

SUPPLY: 1" MNPT **WASTE:** 1" MNPT

EYE WASH FLOW: ≥11.4 L/Min, **SHOWER FLOW:** ≥75.7 L/Min

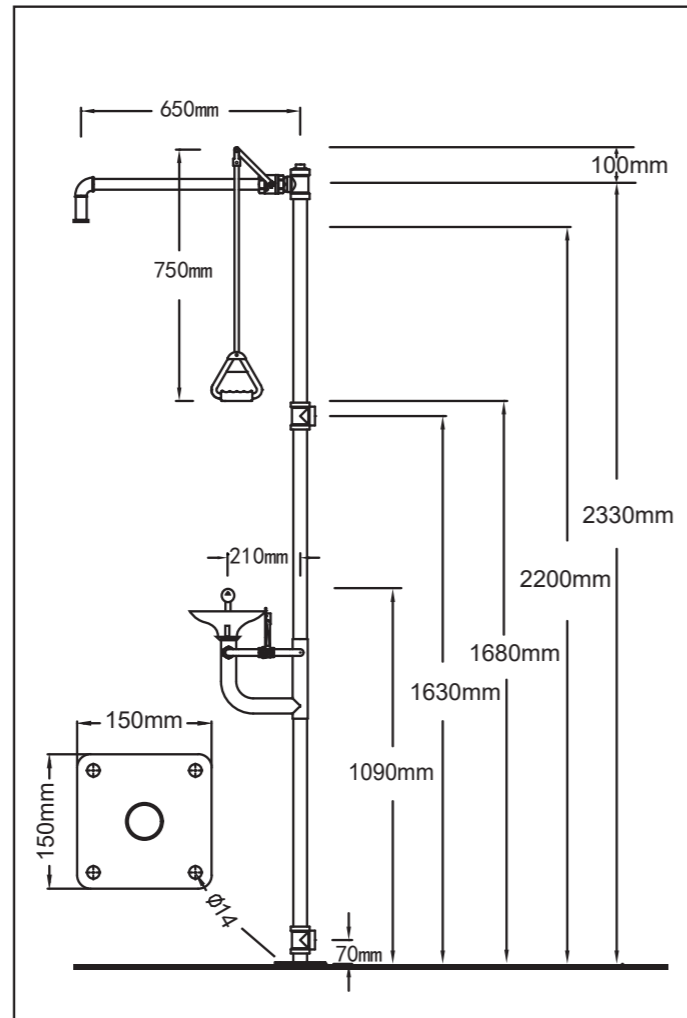
HYDRAULIC PRESSURE: 0.2MPA-0.6MPA

ORIGINAL WATER: Drinking water or filtered water

USING ENVIRONMENT: Places where has hazardous substance splashing, such as chemicals, hazardous liquids, solid, gas and so on.

SPECIAL NOTE: If the acid concentration is too high, recommend to use 316 stainless steel. The eye wash & shower is made of high quality 304 stainless steel. Can install anti-scalding device to avoid the media temperature is too high in the pipe after the sun exposure and cause user scalding. The standard anti-scalding temperature is 35°C.

Standard: ANSI Z358.1-2014



BD-560E Stainless Steel Combination Eye Wash/Shower

MATERIAL: Eye wash main body is made of 304 stainless steel

SHOWER NOZZLE: Diameter 1" stainless steel rotating nozzle

EYE WASH NOZZLE: ABS spraying with 10" waste water recycle bowl

SHOWER VALVE: 1" 304 stainless steel ball valve **EYE WASH VALVE:** 1/2" 304 stainless steel ball valve

SUPPLY: 1 1/4" FNPT **WASTE:** 1 1/4" FNPT

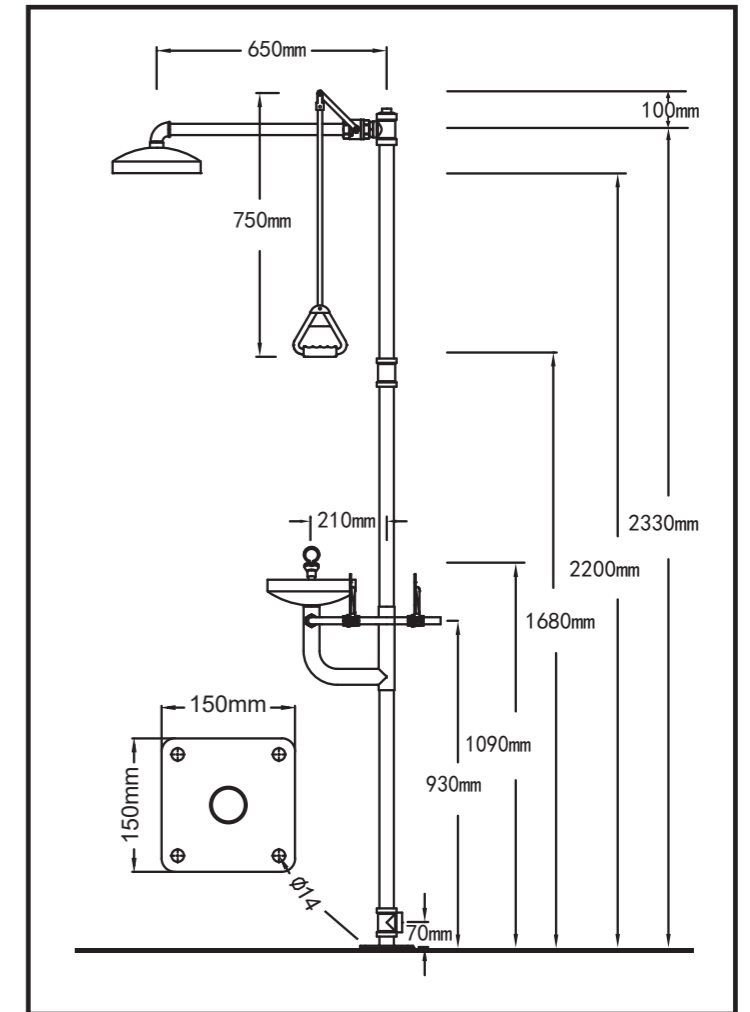
EYE WASH FLOW: ≥ 11.4 L/Min, **SHOWER FLOW:** ≥ 75.7 L/Min

HYDRAULIC PRESSURE: 0.2MPA-0.6MPA **ORIGINAL WATER:** Drinking water or filtered water

USING ENVIRONMENT: Places where has hazardous substance splashing, such as chemicals, hazardous liquids, solid, gas and so on.

SPECIAL NOTE: If the acid concentration is too high, recommend to use 316 stainless steel. When using ambient temperature below 0°C, use antifreeze eye wash. The eye wash & shower is made of high quality 304 stainless steel. Can install anti-scalding device to avoid the media temperature is too high in the pipe after the sun exposure and cause user scalding. The standard anti-scalding temperature is 35°C.

Standard: ANSI Z358.1-2014



BD-560F Anti-Freeze and Emptying Stainless Steel Combination Eyewash/Shower

The main body pipe fittings and valves of BD-560F are made of high-quality SS304, which has the function of emptying and anti-freezing. The main body is provided with an eyewash valve and an emptying antifreeze valve. The water inlet is directly connected to the emptying valve at the back of the eyewash body. When in use, first push down the handle of the emptying valve (the emptying valve is in the state of closing drain and opening water supply), then push down the front eyewash valve handle or pull down the rod to open the shower valve. After use, pull up the rear emptying valve handle to reset (the emptying valve is in the state of closing the water inlet and opening for emptying), wait at least 30 seconds (waiting for the water in the eyewash station to empty), and then close the eyewash valve or shower valve.

Standard: ANSI Z358.1-2014

MATERIAL: Eye wash main body is made of 304 stainless steel

HEAD: 10" stainless steel

EYE WASH NOZZLE: Green ABS spraying with 10" waste water recycle bowl

SHOWER VALVE: 1" 304 stainless steel ball valve

EYE WASH VALVE: 1/2" 304 stainless steel ball valve

SUPPLY: 1/2" FNPT **WASTE:** 1 1/4" FNPT

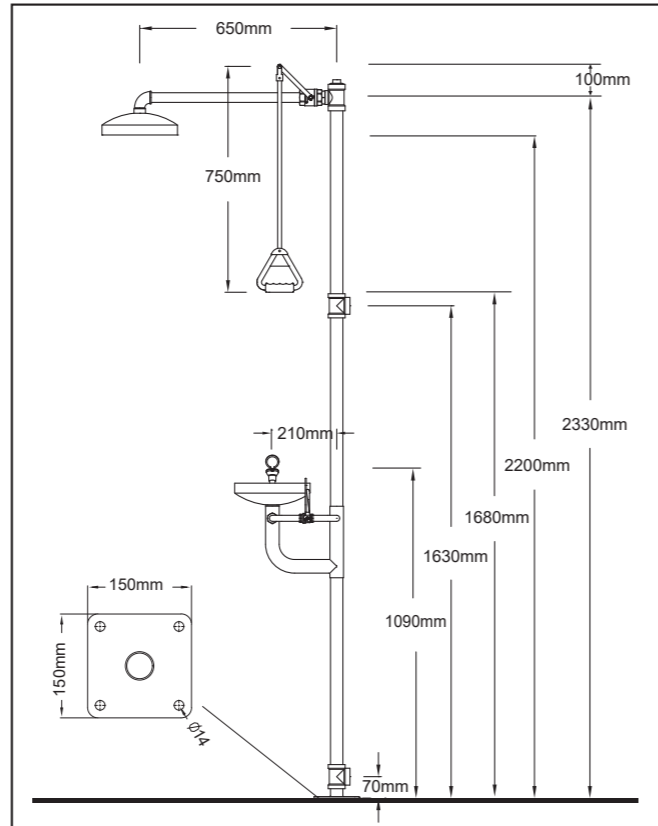
EYE WASH FLOW: ≥ 11.4 L/Min, **SHOWER FLOW:** ≥ 75.7 L/Min

HYDRAULIC PRESSURE: 0.2MPA-0.6MPA

ORIGINAL WATER: Drinking water or filtered water

USING ENVIRONMENT: Places where has hazardous substance splashing, such as chemicals, hazardous liquids, solid, gas and so on.

SPECIAL NOTE: If the acid concentration is too high, recommend to use 316 stainless steel. The eye wash & shower is made of high quality 304 stainless steel. Can install anti-scalding device to avoid the media temperature is too high in the pipe after the sun exposure and cause user scalding. The standard anti-scalding temperature is 35°C.



BD-560G Stainless Steel Combination Eye Wash/Shower

MATERIAL: Eye wash main body is made of 304 stainless steel

SHOWER VALVE: 1" 304 stainless steel ball valve

EYE WASH VALVE: 1/2" 304 stainless steel ball valve

SUPPLY: 1 1/4" FNPT **WASTE:** 1 1/4" FNPT

EYE WASH FLOW: ≥11.4 L/Min, shower flow ≥75.7 L/Min **HYDRAULIC PRESSURE:** 0.2MPA-0.6MPA

ORIGINAL WATER: Drinking water or filtered water

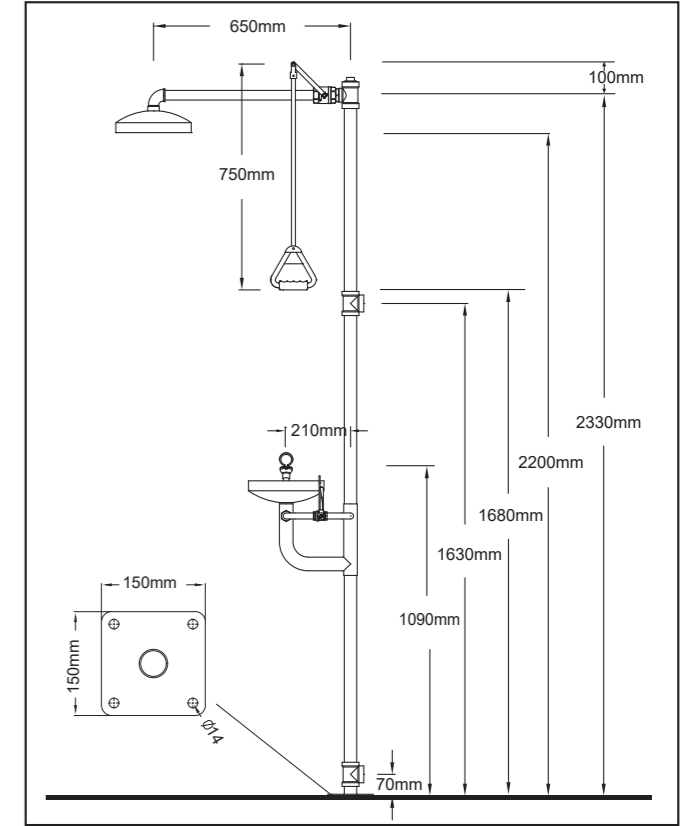
USING ENVIRONMENT: Places where has hazardous substance splashing, such as chemicals, hazardous liquids, solid, gas and so on.

SPECIAL NOTE: 1. If the acid concentration is too high, recommend to use 316 stainless steel.

2. When using ambient temperature below 0°C, use antifreeze eye wash.

3. The eye wash & shower is made of high quality 304 stainless steel.

4. Can install anti-scalding device to avoid the media temperature is too high in the pipe after the sun exposure and cause user scalding. The standard anti-scalding temperature is 35°C. **Standard: ANSI Z358.1-2014**



BD-560H Stainless Steel Combination Eye Wash/Shower

MATERIAL: Eye wash main body is made of 304 stainless steel

SHOWER VALVE: 1" 304 stainless steel ball valve

EYE WASH VALVE: 1/2" 304 stainless steel ball valve

SUPPLY: 1 1/4" FNPT **WASTE:** 1 1/4" FNPT

EYE WASH FLOW: ≥11.4 L/Min, shower flow ≥75.7 L/Min **HYDRAULIC PRESSURE:** 0.2MPA-0.6MPA

ORIGINAL WATER: Drinking water or filtered water

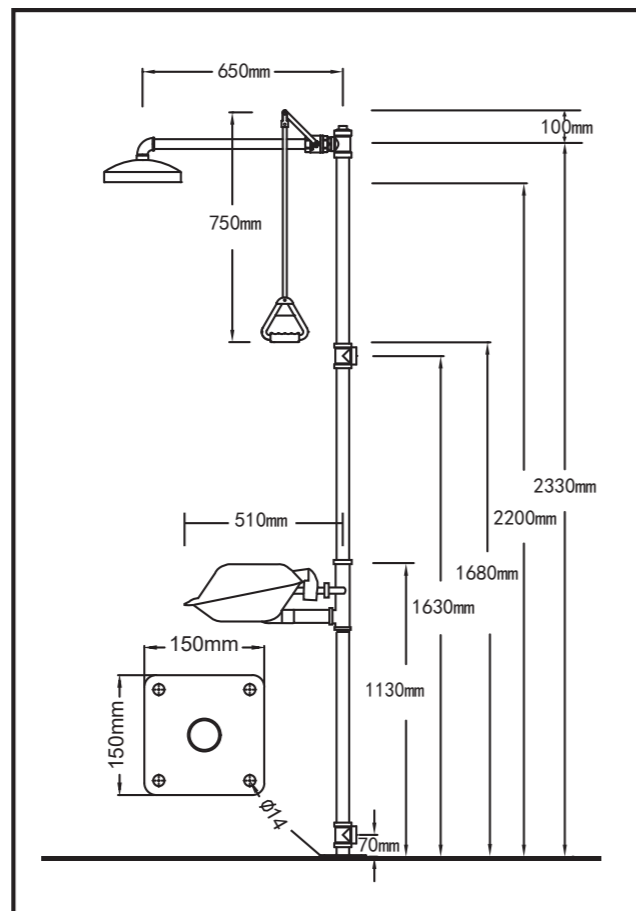
USING ENVIRONMENT: Places where has hazardous substance splashing, such as chemicals, hazardous liquids, solid, gas and so on.

SPECIAL NOTE: 1. If the acid concentration is too high, recommend to use 316 stainless steel.

2. When using ambient temperature below 0°C, use antifreeze eye wash.

3. The eye wash & shower is made of high quality 304 stainless steel.

4. Can install anti-scalding device to avoid the media temperature is too high in the pipe after the sun exposure and cause user scalding. The standard anti-scalding temperature is 35°C. **Standard: ANSI Z358.1-2014**



BD-560K Stainless Steel Combination Eye Wash/Shower

The main pipe fittings and valves are made of high-quality 304 stainless steel. The yellow ABS eyewash bowl is equipped with a transparent dust cover. The dust cover is linked with the eyewash valve. Open the dust cover, the eyewash starts the water flow, and close the dust cover to stop the water flow.

There is no external hand push.

HEAD: 10" 304 stainless steel

EYE WASH NOZZLE: ABS yellow nozzle, ABS yellow waste water recycling bowl, equipped with a transparent dust cover, the dust cover is linked with the eyewash valve.

SHOWER VALVE: 1" 304 stainless steel ball valve **EYE WASH VALVE:** 1/2" 304 stainless steel ball valve **SUPPLY:** 1 1/4" FNPT **WASTE:** 1 1/4" FNPT

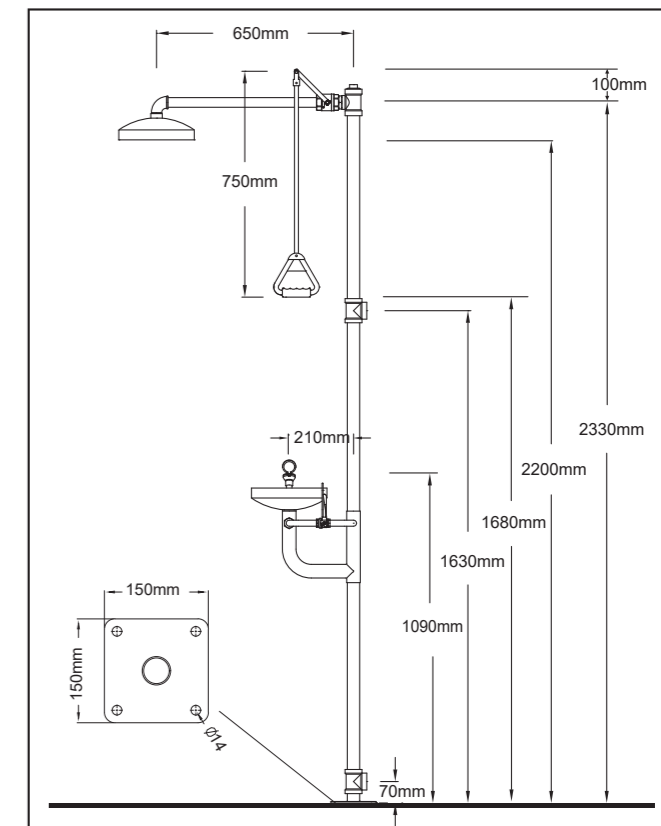
EYE WASH FLOW: ≥ 11.4 L/Min, **SHOWER FLOW:** ≥ 75.7 L/Min **HYDRAULIC PRESSURE:** 0.2MPA-0.6MPA

ORIGINAL WATER: Drinking water or filtered water

USING ENVIRONMENT: Places where has hazardous substance splashing, such as chemicals, hazardous liquids, solid, gas and so on.

SPECIAL NOTE: If the acid concentration is too high, recommend to use 316 stainless steel. When using ambient temperature below 0°C, use antifreeze eye wash. Can install anti-scalding device to avoid the media temperature is too high in the pipe after the sun exposure and cause user scalding. The standard anti-scalding temperature is 35°C.

Standard: ANSI Z358.1-2014



BD-560N Stainless Steel Combination Eye Wash/Shower

MATERIAL: Eye wash main body is made of 304 stainless steel

SHOWER VALVE: 1" 304 stainless steel ball valve

EYE WASH VALVE: 1/2" 304 stainless steel ball valve

SUPPLY: 1 1/4" FNPT **WASTE:** 1 1/4" FNPT

EYE WASH FLOW: ≥ 11.4 L/Min, shower flow ≥ 75.7 L/Min **HYDRAULIC PRESSURE:** 0.2MPA-0.6MPA

ORIGINAL WATER: Drinking water or filtered water

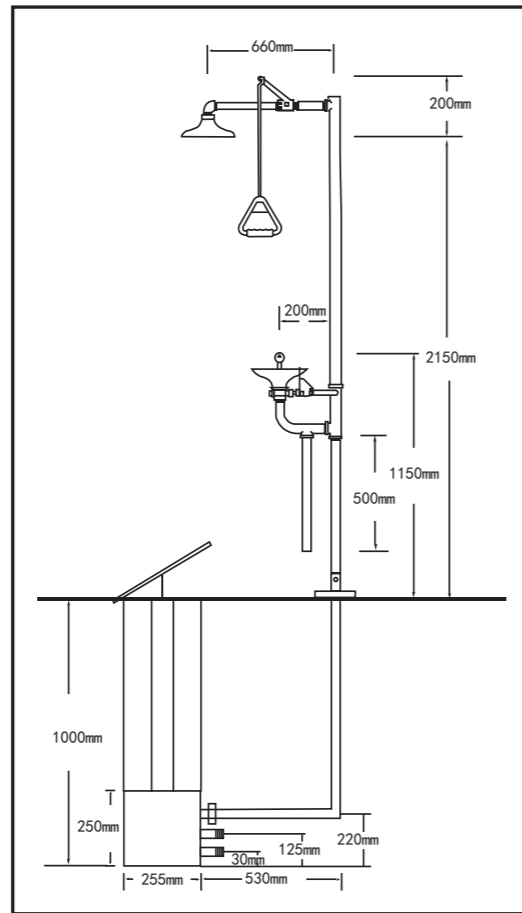
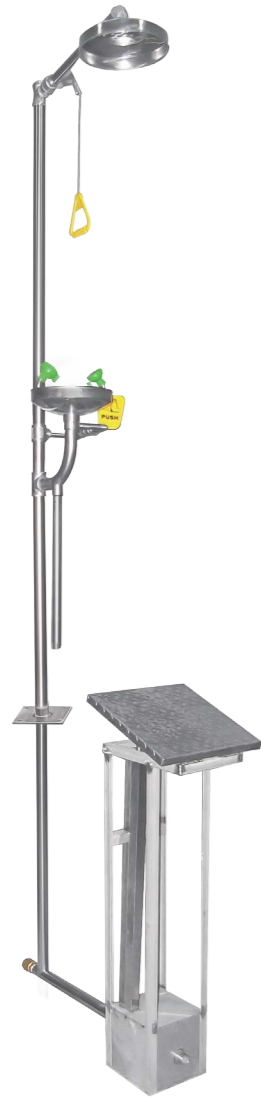
USING ENVIRONMENT: Places where has hazardous substance splashing, such as chemicals, hazardous liquids, solid, gas and so on.

SPECIAL NOTE: 1. If the acid concentration is too high, recommend to use 316 stainless steel.

2. When using ambient temperature below 0°C, use antifreeze eye wash.

3. The eye wash & shower is made of high quality 304 stainless steel.

4. Can install anti-scalding device to avoid the media temperature is too high in the pipe after the sun exposure and cause user scalding. The standard anti-scalding temperature is 35°C. **Standard:** ANSI Z358.1-2014



BD-560W Buried Anti-Freeze Stainless Steel Combination Eye Wash

BD-560W buried anti-freeze stainless steel combination eye wash, suitable for used in permafrost $\leq 800\text{mm}$ area. Scientific buried emptying anti-freeze design, to ensure that eye wash can be normal used in the ambient temperature -15°C - 45°C . When using, step the ground part foot pedal, eye wash in the water supply state, eye wash can be used normally. After using, person leaves from the pedal, and the pedal back to position automatically, the eye wash stop the water supply, and the water in eye wash will be automatically emptying at the same time, play outdoor eye wash anti-freeze effect in winter.

MATERIAL: Main pipe, valve, foot pedal and box are made of 304 stainless steel **HEAD:** 10" stainless steel

EYE WASH NOZZLE: ABS spraying with 10" waste water recycle bowl

SHOWER VALVE: 1" 304 stainless steel ball valve

EYE WASH VALVE: 1/2" 304 stainless steel ball valve

SUPPLY: 1" FNPT **WASTE:** 1" MNPT **EYE WASH WASTE:** 1" MNPT **EYE WASH FLOW:** ≥ 11.4 L/Min, shower flow ≥ 75.7 L/Min

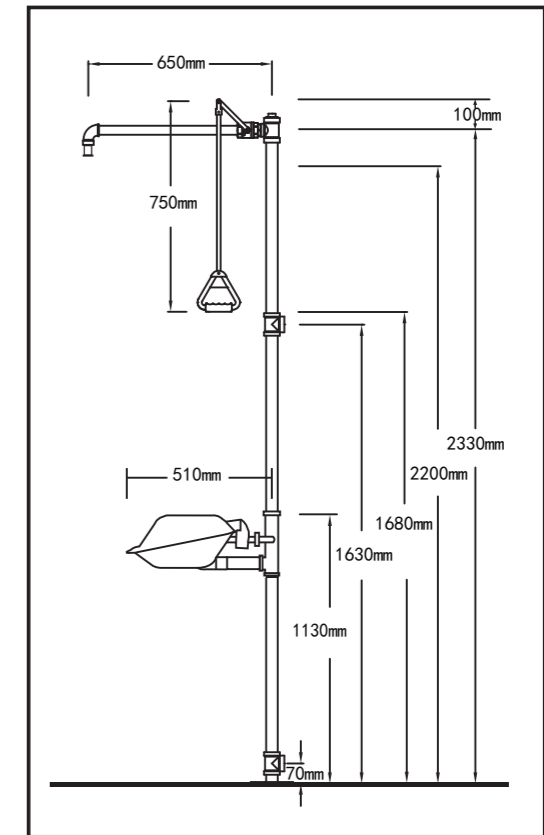
HYDRAULIC PRESSURE: 0.2MPA-0.6MPA **ORIGINAL WATER:** Drinking water or filtered water

USING ENVIRONMENT: Places where has hazardous substance splashing, such as chemicals, hazardous liquids, solid, gas and so on.

SPECIAL NOTE: If the acid concentration is too high, recommend to use 316 stainless steel.

Standard: ANSI Z358.1-2014

BD-560EK Stainless Steel Combination Eye Wash/Shower



BD-560EK Stainless Steel Combination Eye Wash/Shower

The main pipe fittings and valves are made of high-quality 304 stainless steel. The yellow ABS eyewash bowl is equipped with a transparent dust cover.

The dust cover is linked with the eyewash valve. Open the dust cover, the eyewash starts the water flow, and close the dust cover to stop the water flow.

There is no external hand push.

HEAD: 10" 304 stainless steel

EYE WASH NOZZLE: Diameter 1" stainless steel rotating nozzle

SHOWER VALVE: 1" 304 stainless steel ball valve **EYE WASH VALVE:** 1/2" 304 stainless steel ball valve **SUPPLY:** 1 1/4" FNPT **WASTE:** 1 1/4" FNPT

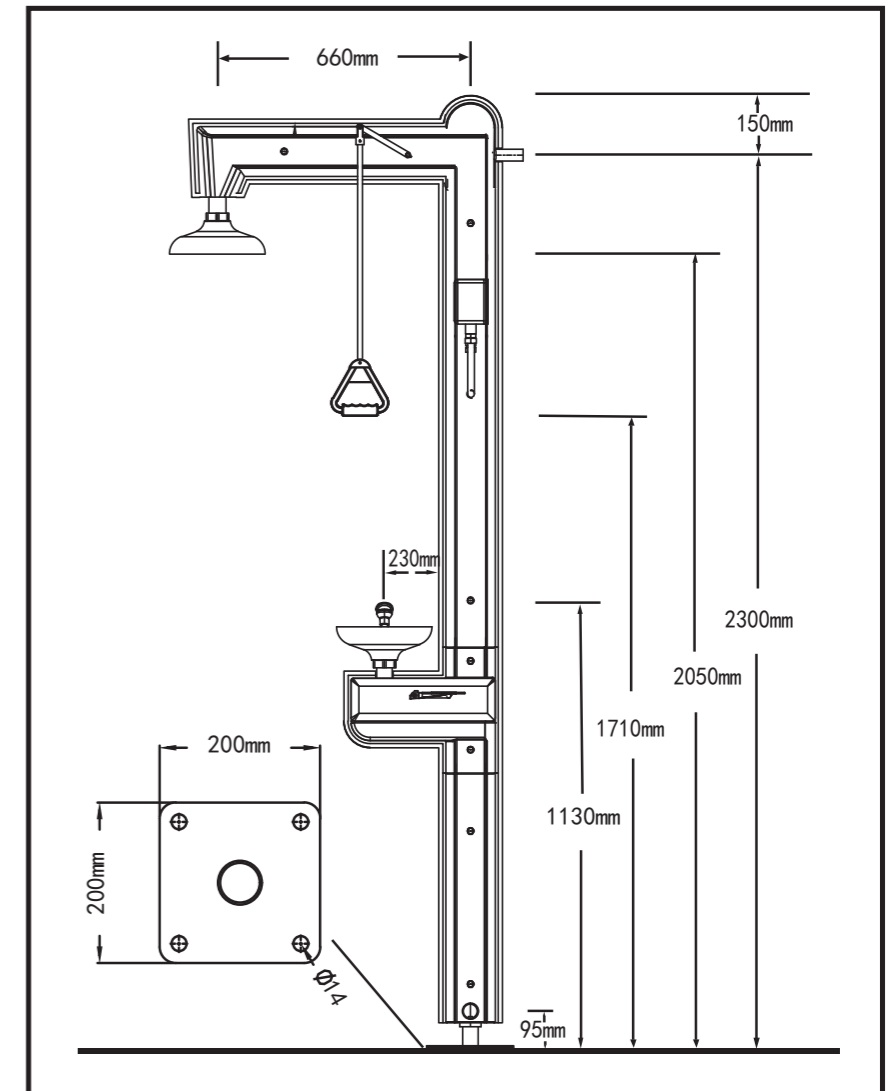
EYE WASH FLOW: ≥ 11.4 L/Min, **SHOWER FLOW:** ≥ 75.7 L/Min **HYDRAULIC PRESSURE:** 0.2MPA-0.6MPA

ORIGINAL WATER: Drinking water or filtered water

USING ENVIRONMENT: Places where has hazardous substance splashing, such as chemicals, hazardous liquids, solid, gas and so on.

SPECIAL NOTE: If the acid concentration is too high, recommend to use 316 stainless steel. When using ambient temperature below 0°C , use antifreeze eye wash. Can install anti-scalding device to avoid the media temperature is too high in the pipe after the sun exposure and cause user scalding. The standard anti-scalding temperature is 35°C .

Standard: ANSI Z358.1-2014



BD-580 Explosion Proof with Cable Heated Freeze Resistant Eye Wash/Shower

The cable heated eye wash shower of BD-580, which provides emergency assistance and primary treatment, It can be used between -35°C~45°C, It composes main pipe, heat cable, inner and outer heat preservation layer, junction box and the main pipe is made of 304 stainless steel.

HEAD: ABS with warning yellow

EYE WASH NOZZLE: ABS spraying with 10" ABS waste water recycle bowl, warning yellow

SHOWER VALVE: 1" 304 stainless steel ball valve

EYE WASH VALVE: 1/2" 304 stainless steel ball valve **SUPPLY:** 1" MNPT **WASTE:** 1 1/4" MNPT

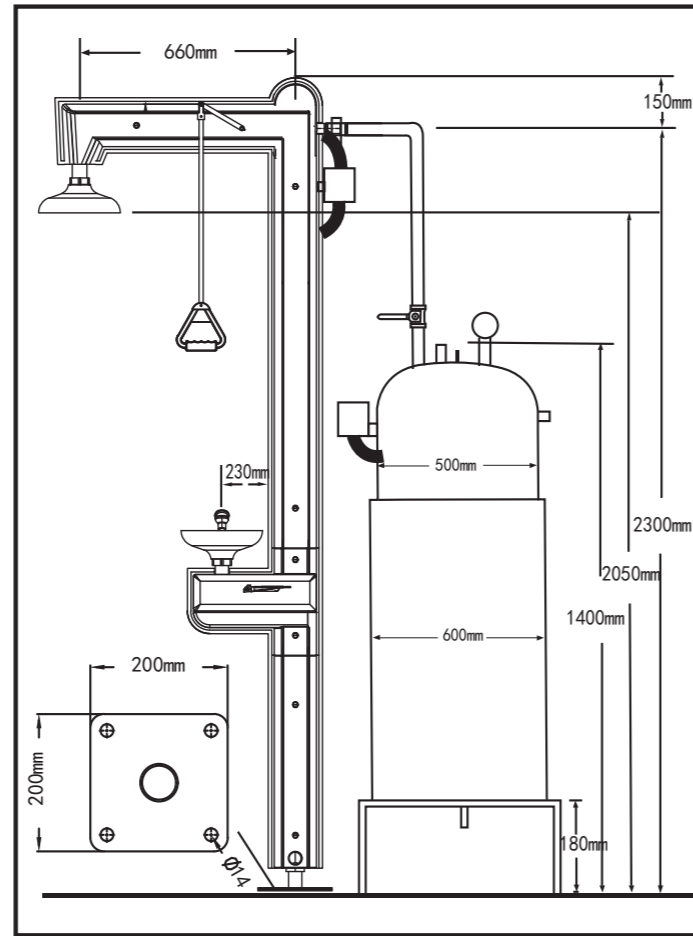
Eye Wash Flow ≥ 11.4 L/Min, shower flow ≥ 75.7 L/Min **HYDRAULIC PRESSURE:** 0.2MPa-0.6MPa

VOLTAGE: 220V~250V **POWER:** 200W **ORIGINAL WATER:** Drinking water or filtered water

USING ENVIRONMENT: Places where has hazardous substance splashing, such as chemicals, hazardous liquids, solid, gas and so on.

SPECIAL NOTE: This eye wash is used in flammable environment or explosion proof area, the standard product explosion-proof mark is Exe II T6. According to the environment to customize the corresponding explosion proof grade, slightly different appearance in kind prevail.

Standard: ANSI Z358.1-2014

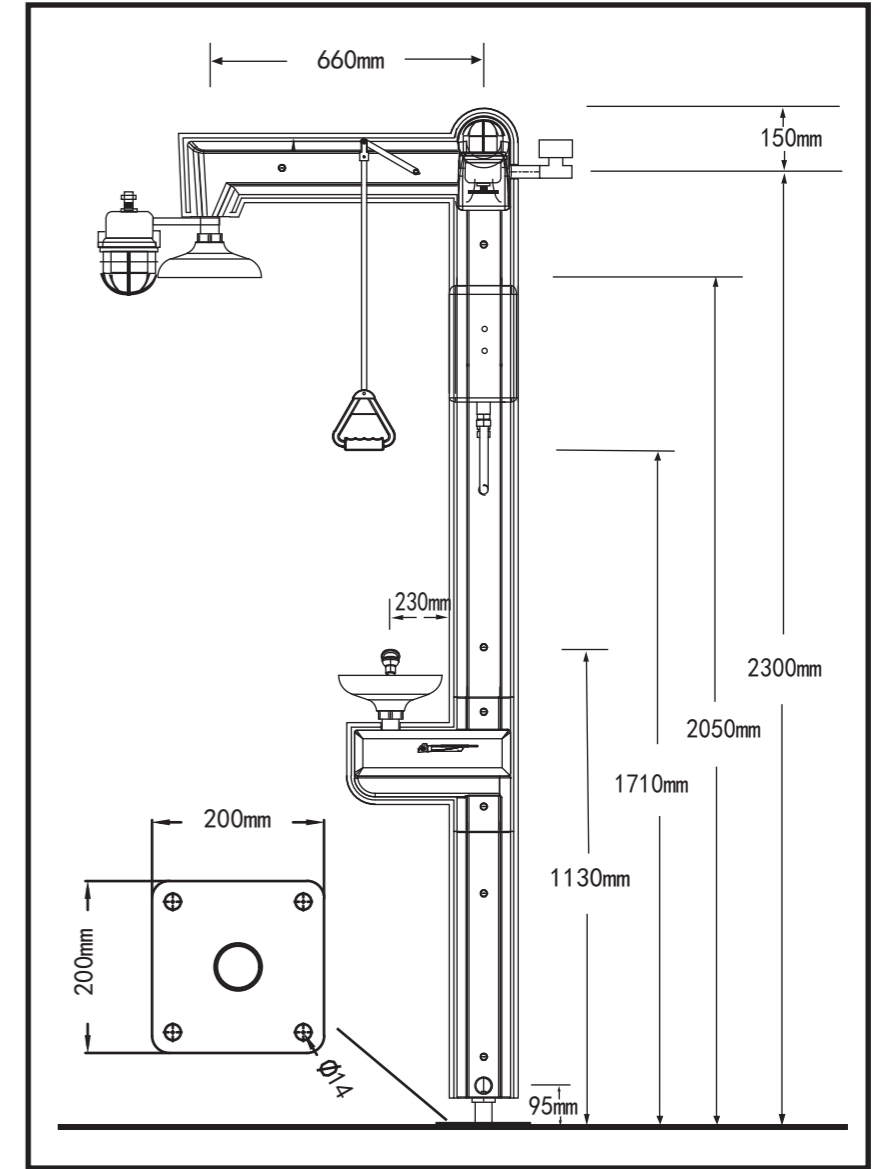


BD-580A Explosion Proof with Freeze Protected Combination Stainless Steel Shower and Eye/Face Wash with Tank

The cable heated eye wash shower of BD-580A is antifreeze for outdoor, which provides emergency assistance and primary treatment. It can be used between -35°C~45°C, the water storage tank use stainless steel electric heating water system and the storage capacity is 180L, it can be customized according to customer's demand. Water storage tank uses air pressure to supply water for eye wash shower, customer is required to have the conditions to charging for water storage tank. It composes main pipe, heat cable, inner and outer heat preservation layer, junction box and the main pipe is made of SS304.

- HEAD:** ABS with warning yellow
- EYE WASH NOZZLE:** ABS spraying with 10" ABS waste water recycle bowl, warning yellow
- SHOWER VALVE:** 1" 304 stainless steel ball valve
- EYE WASH VALVE:** 1/2" 304 stainless steel ball valve
- SUPPLY:** 1" MNPT **WASTE:** 1 1/4" MNPT
- EYE WASH FLOW:** ≥11.4 L/Min, **SHOWER FLOW:** ≥75.7 L/Min
- HYDRAULIC PRESSURE:** 0.2MPA-0.6MPA
- VOLTAGE:** 220V~250V **POWER:** 800W
- ORIGINAL WATER:** Drinking water or filtered water
- USING ENVIRONMENT:** Places where has hazardous substance splashing, such as chemicals, hazardous liquids, solid, gas and so on.
- SPECIAL NOTE:** This eye wash is used in flammable environment or explosion proof area, the standard product explosion-proof mark is Exe II T6. According to the environment to customize the corresponding explosion proof grade, slightly different appearance in kind prevail.

Standard: ANSI Z358.1-2014

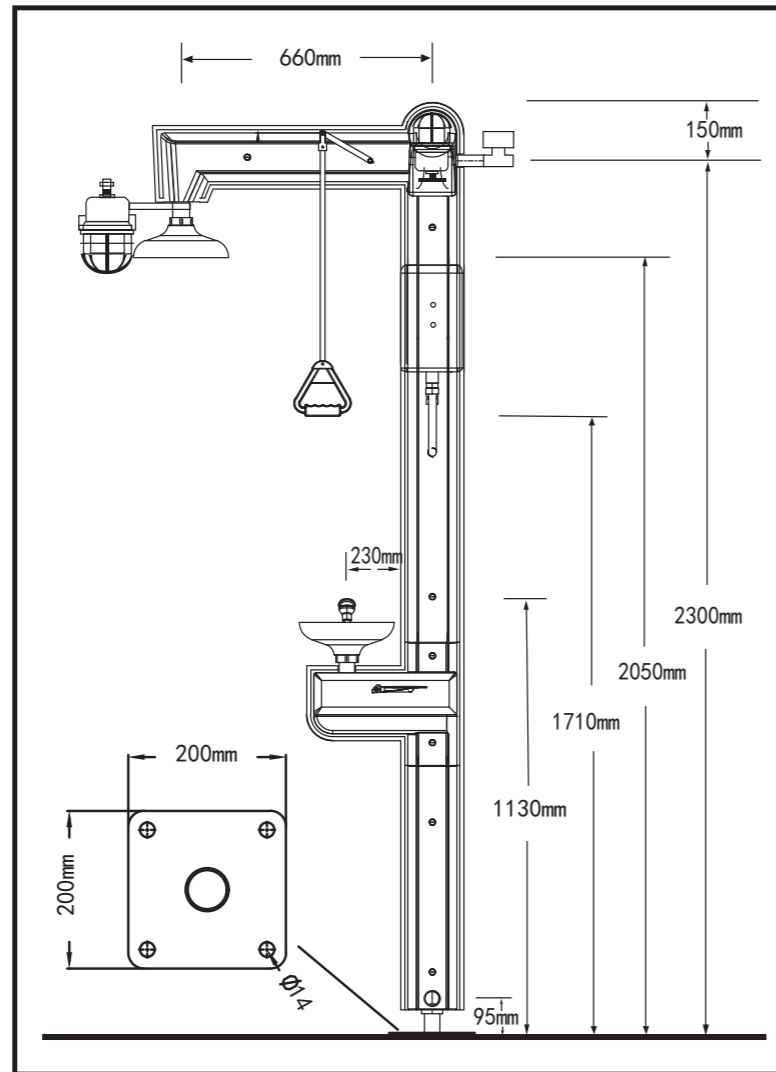


BD-580B Explosion Proof Alarms and Lighting with Cable Heated Freeze Resistant Eye Wash & Shower

The cable heated eye wash shower of BD-580B which provides emergency assistance and primary treatment, It can be used between -35°C~45°C, It composes main pipe, heat cable, inner and outer heat preservation layer, junction box and the main pipe is made of 304 stainless steel.

- HEAD:** ABS with warning yellow
- EYE WASH NOZZLE:** ABS spraying with 10" ABS waste water recycle bowl, warning yellow
- SHOWER VALVE:** 1" 304 stainless steel ball valve **EYE WASH VALVE:** 1/2" 304 stainless steel ball valve
- SUPPLY:** 1" FNPT **WASTE:** 1 1/4" MNPT **EYE WASH FLOW:** ≥11.4 L/Min, **SHOWER FLOW:** ≥75.7 L/Min
- HYDRAULIC PRESSURE:** 0.2MPA-0.6MPA **VOLTAGE:** 220V~250V **POWER:** 250W
- ORIGINAL WATER:** Drinking water or filtered water
- USING ENVIRONMENT:** Places where has hazardous substance splashing, such as chemicals, hazardous liquids, solid, gas and so on.
- SPECIAL NOTE:** This eye wash is used in flammable environment or explosion proof area, the standard product explosion-proof mark is Exe II T6. According to the environment to customize the corresponding explosion proof grade, slightly different appearance in kind prevail.

Standard: ANSI Z358.1-2014



BD-580C Explosion Proof Alarms Cable Heated Freeze Resistant Eye Wash & Shower

The cable heated eye wash shower of BD-580C which provides emergency assistance and primary treatment, It can be used between -35°C~45°C, It composes main pipe, heat cable, inner and outer heat preservation layer, junction box and the main pipe is made of 304 stainless steel.

HEAD: ABS with warning yellow

EYE WASH NOZZLE: ABS spraying with 10" ABS waste water recycle bowl, warning yellow

SHOWER VALVE: 1" 304 stainless steel ball valve

EYE WASH VALVE: 1/2" 304 stainless steel ball valve

SUPPLY: 1" FNPT **WASTE:** 1 1/4" MNPT **EYE WASH FLOW:** ≥11.4 L/Min, **SHOWER FLOW:** ≥75.7 L/Min

HYDRAULIC PRESSURE: 0.2MPA-0.6MPA **VOLTAGE:** 220V~250V **POWER:** 250W

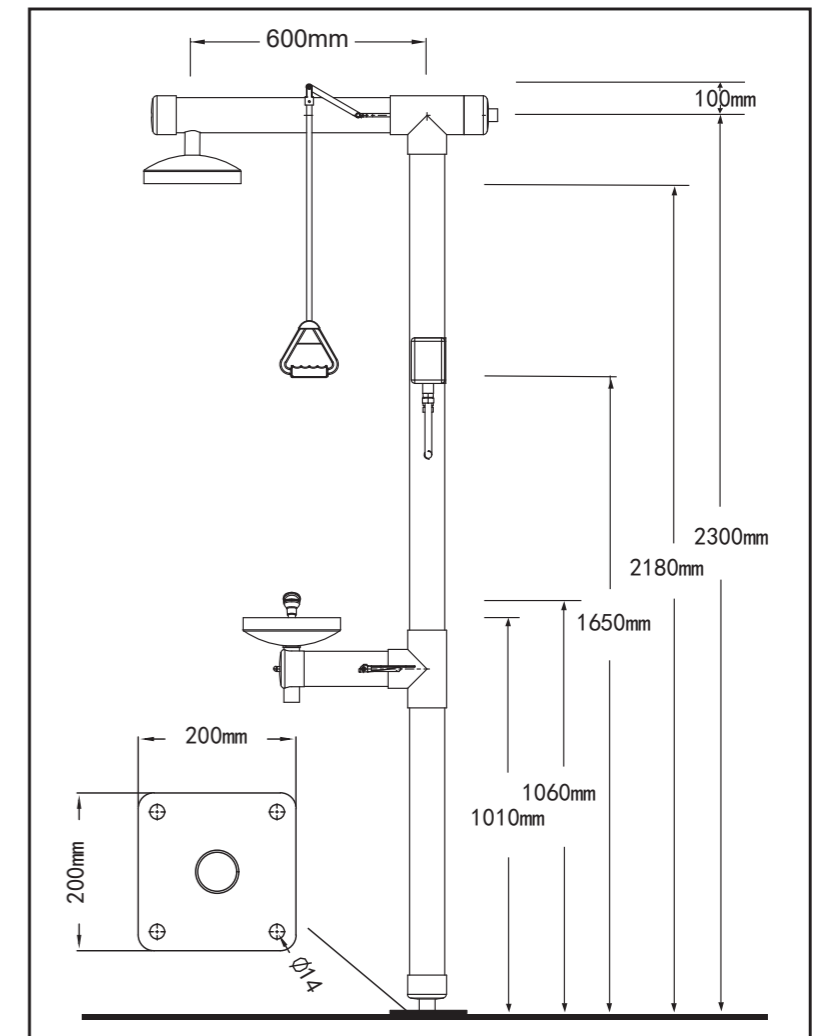
ORIGINAL WATER: Drinking water or filtered water

USING ENVIRONMENT: Places where has hazardous substance splashing, such as chemicals, hazardous liquids, solid, gas and so on.

SPECIAL NOTE: This eye wash is used in flammable environment or explosion proof area, the standard product explosion-proof mark is Exe II T6.

According to the environment to customize the corresponding explosion proof grade, slightly different appearance in kind prevail.

Standard: ANSI Z358.1-2014



BD-590 Cable Heated Economical Eye Wash & Shower

The eye wash shower is antifreeze for outdoor, which can be used between -25°C~45°C, shell is acid and alkali resistant PVC, the inner pipe is 304 stainless steel winded by high performance heated cable, the heat preservation layer is made of polyurethane, the color is white and green.

HEAD: 10" stainless steel

EYE WASH NOZZLE: Green ABS spraying with 10" waste water recycle bowl

SHOWER VALVE: 1" 304 stainless steel ball valve **EYE WASH VALVE:** 1/2" 304 stainless steel ball valve

SUPPLY: 1" MNPT **WASTE:** 1 1/4" MNPT **EYE WASH FLOW:** ≥11.4 L/Min, **SHOWER FLOW:** ≥75.7 L/Min

HYDRAULIC PRESSURE: 0.2MPA-0.6MPA

VOLTAGE: 220V~250V **POWER:** 200W

ORIGINAL WATER: Drinking water or filtered water

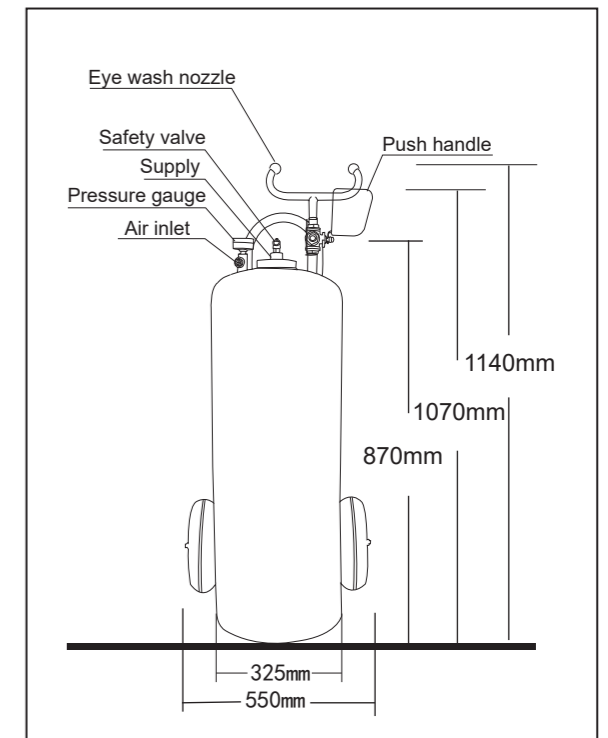
USING ENVIRONMENT: Places where has hazardous substance splashing, such as chemicals, hazardous liquids, solid, gas and so on.

SPECIAL NOTE: This eye wash is used in flammable environment or explosion proof area, the standard product explosion-proof mark is Exe II T6.

According to the environment to customize the corresponding explosion proof grade, slightly different appearance in kind prevail.

Standard: ANSI Z358.1-2014

Portable Eye Wash



BD-570 Portable Eye Wash

The portable eyewash is very suitable for use in places where there is no fixed water source for washing. The water storage tank body is equipped with a rubber wheel suitable for movement, which is convenient for the user to set it anywhere. The portable eyewash is simple and convenient to operate, and the continuous working time of the eyewash water flow is ≥ 15 minutes (the time for the user who install the shower device depends on the actual working situation). The main body of the eye wash is made of high quality 304 stainless steel.

MATERIAL: 304 stainless steel

DIMENSIONS: D550mm X H1140mm

EYE WASH VALVE: 1/2" 304 stainless steel ball valve

PRESSURE: The eye wash provides water by air pressure, common air pressure: 0.6MPa

ORIGINAL WATER: Drinking water, add water to the tank through the water supply at the top of the tank

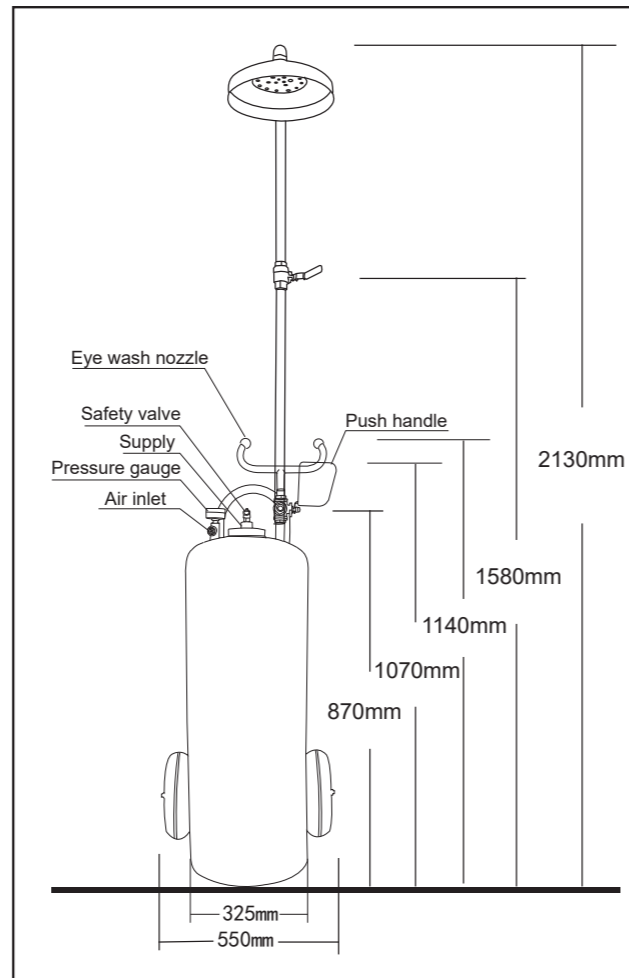
WATER STORAGE: 45L

USING TEMPERATURE: Ambient temperature range is 5°C~45°C

SPECIAL NOTE: If the temperature is below 5°C, please use heat preservation measures or buy electric heat preservation cover.

Do not use if the temperature is higher than 45°C, in order to avoid scalding, need to cool before use.

Standard: ANSI Z358.1-2014



BD-570A Portable Eye Wash

The portable eyewash is very suitable for use in places where there is no fixed water source for washing. The water storage tank body is equipped with a rubber wheel suitable for movement, which is convenient for the user to set it anywhere. The portable eyewash is simple and convenient to operate, and the continuous working time of the eyewash water flow is ≥ 15 minutes (the time for the user who install the shower device depends on the actual working situation). The main body of the eye wash is made of high quality 304 stainless steel.

MATERIAL: 304 stainless steel

DIMENSIONS: D550mm X H2130mm

SHOWER VALVE: 3/4" 304 stainless steel ball valve **EYE WASH VALVE:** 1/2" 304 stainless steel ball valve

PRESSURE: The eye wash provides water by air pressure, common air pressure: 0.6MPA

ORIGINAL WATER: Drinking water, add water to the tank through the water supply at the top of the tank

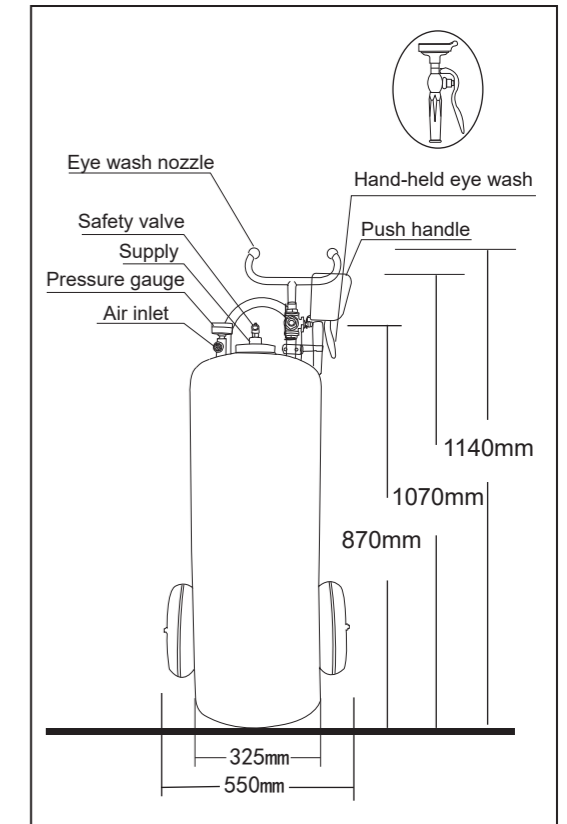
WATER STORAGE: 45L

USING TEMPERATURE: Ambient temperature range is 5°C~45°C

SPECIAL NOTE: If the temperature is below 5°C, please use heat preservation measures or buy electric heat preservation cover.

Do not use if the temperature is higher than 45°C, in order to avoid scalding, need to cool before use.

Standard: ANSI Z358.1-2014



BD-570B Portable Eye Wash

The portable eyewash is very suitable for use in places where there is no fixed water source for washing. The water storage tank body is equipped with a rubber wheel suitable for movement, which is convenient for the user to set it anywhere. The portable eyewash is simple and convenient to operate, and the continuous working time of the eyewash water flow is ≥ 15 minutes (the time for the user who install the shower device depends on the actual working situation). The main body of the eye wash is made of high quality 304 stainless steel.

MATERIAL: 304 stainless steel

DIMENSIONS: D550mm X H2130mm

SHOWER VALVE: 3/4" 304 stainless steel ball valve **EYE WASH VALVE:** 1/2" 304 stainless steel ball valve

HAND-HELD EYE WASH INTERFACE: 1/2" MNPT

PRESSURE: The eye wash provides water by air pressure, common air pressure: 0.6MPA

ORIGINAL WATER: Drinking water, add water to the tank through the water supply at the top of the tank

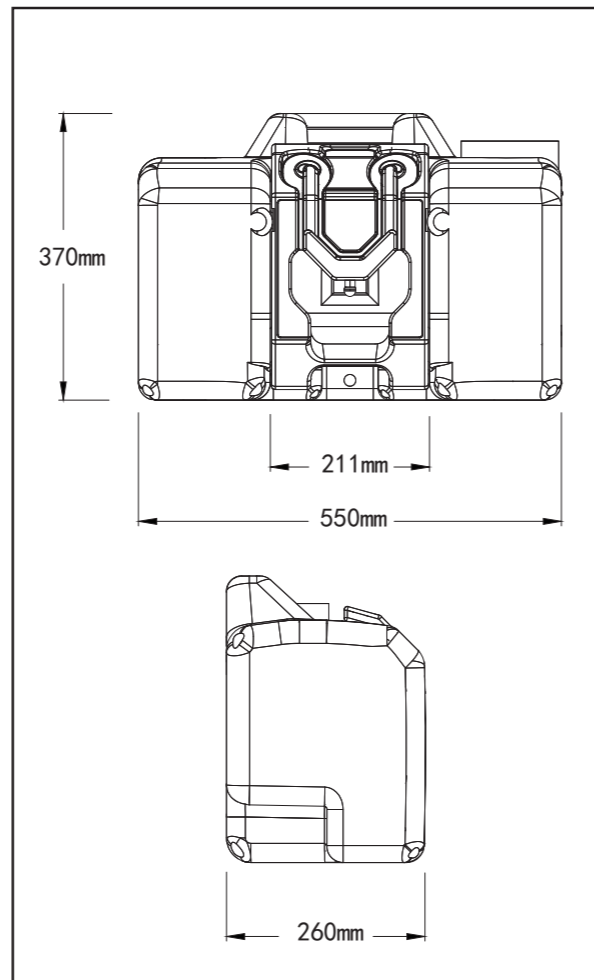
WATER STORAGE: 45L

USING TEMPERATURE: Ambient temperature range is 5°C~45°C

SPECIAL NOTE: If the temperature is below 5°C, please use heat preservation measures or buy electric heat preservation cover.

Do not use if the temperature is higher than 45°C, in order to avoid scalding, need to cool before use.

Standard: ANSI Z358.1-2014



BD-600A(35L) Portable Eye Wash

Portable eyewash is small and light, with gravity water supply. It can continuously supply clean water for 15 minutes. It can be used by pulling the yellow activation panel to the open position.

MATERIAL: High-quality polyethylene water tank

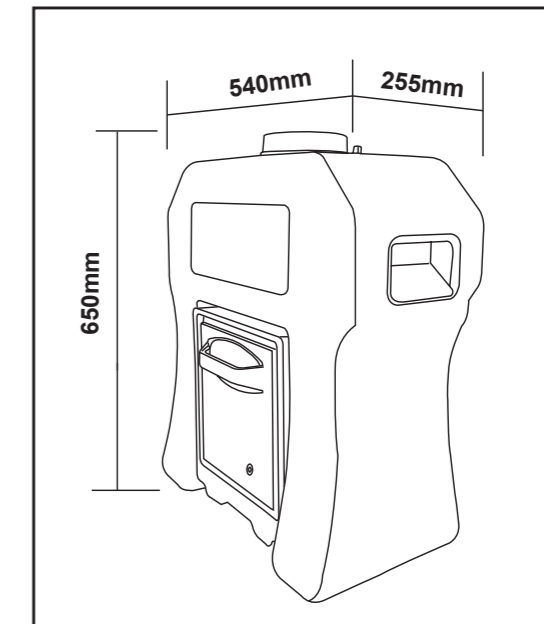
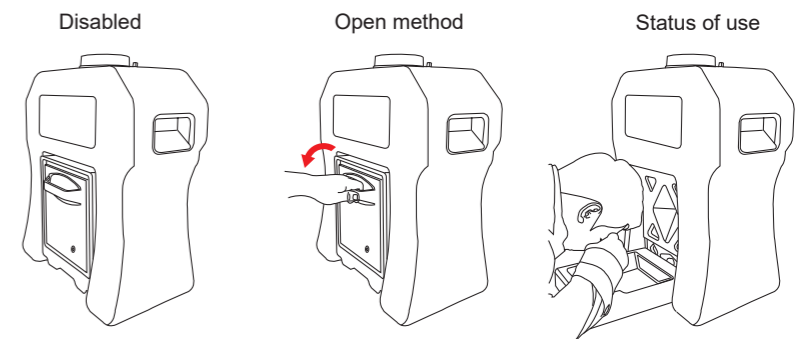
DIMENSIONS: 550mm X 370mm X 260mm

TOTAL VOLUME: 35L (about 9 gallons)

FLOW: Lasts for more than 15 minutes

APPLICATION PLACE: Used in pharmaceutical, medical, chemical, petrochemical, electronics, metallurgy, machinery, education and scientific research institutions, etc.

Standard: ANSI Z358.1-2014



BD-600A(60L) Wall Mounted Portable Eye Wash

This portable eye wash is made of polyethylene, safe green, suitable for using in the place without water supply, please use drinking or filtered water or saline. And pay attention to regular cleaning, after cleaning refilled with drinking water or saline.

EXTERNAL DIMENSIONS: Water tank W540mm X D255mm X H650mm

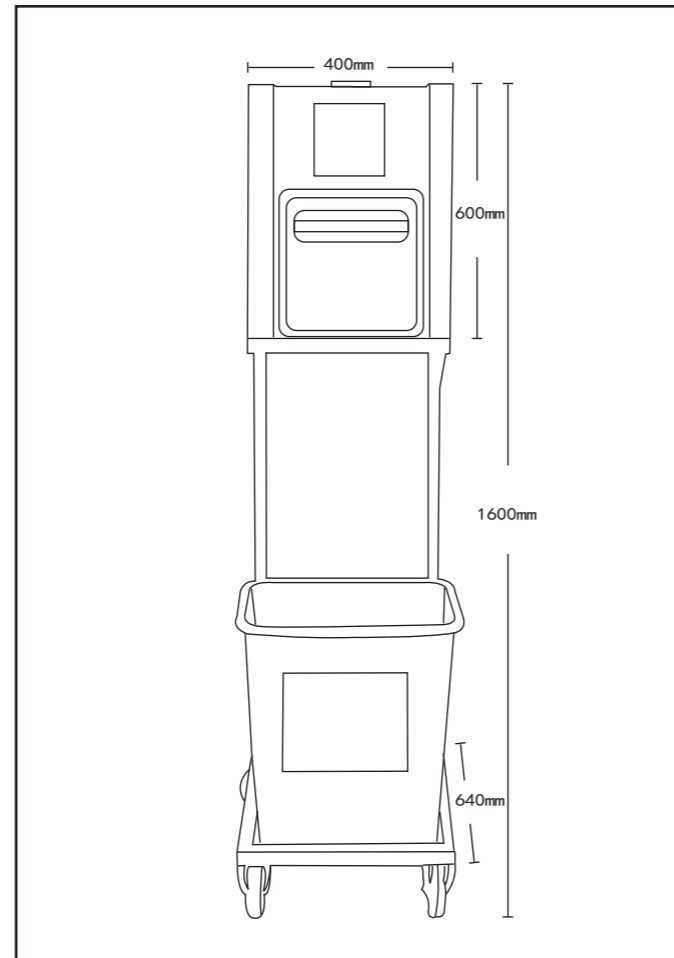
WATER STORAGE: 60L

FLUSHING TIME: > 15 minutes

ORIGINAL WATER: Drinking water or saline, and pay attention to quality guarantee period

USING ENVIRONMENT: Places where has no water supply.

Standard: ANSI Z358.1-2014



BD-600 Stainless Steel Portable Eye Wash

This portable eye wash is made of stainless steel, safety and health, please pull down punch box when use it. The water will be sprayed through the two nozzles, waste water will be recovered through the bottom of the recycling bin, please close your punch box after use it, easy to use.

EXTERNAL DIMENSIONS: W400mm X D300mm X H600mm

HANDCART DIMENSIONS: W400mm X D640mm X H1000mm, with 2 omni-directional wheels, be made of 201 stainless steel

SUPPLY: 85mm X 85mm square hole, convenient for water injection, and it is equipped with dust cover to keep the water clean

WASTE: 1/2" FNPT

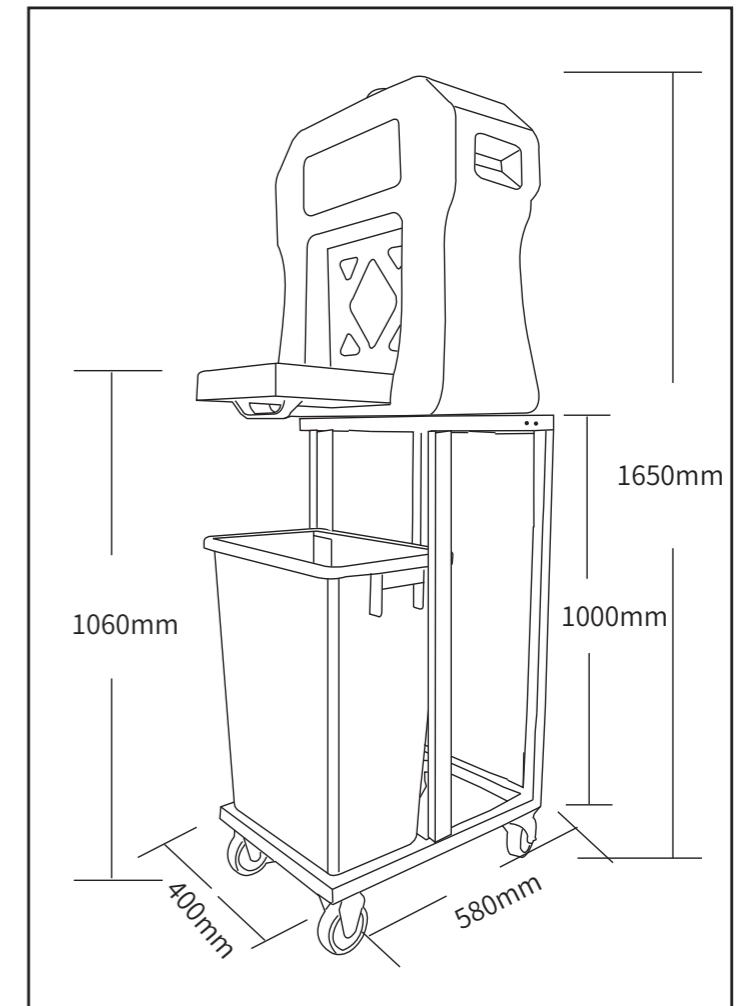
TOTAL VOLUME: 50L

FLOW: Lasts for more than 15 minutes

ORIGINAL WATER: Drinking water or saline, and pay attention to quality guarantee period

APPLICATION PLACE: Places where has no water supply.

Standard: ANSI Z358.1-2014



BD-600B(60L) Handcart Portable Eyewash

This portable eye wash is made of polyethylene, safe green, suitable for using in the place without water supply, please use drinking or filtered water or saline. And pay attention to regular cleaning, after cleaning refilled with drinking water or saline.

EXTERNAL DIMENSIONS: Water tank W540mm X D255mm X H650mm

HANDCART DIMENSIONS: H1000mm X W400mm X T580mm, with 2 omni-directional wheels, be made of 201 stainless steel

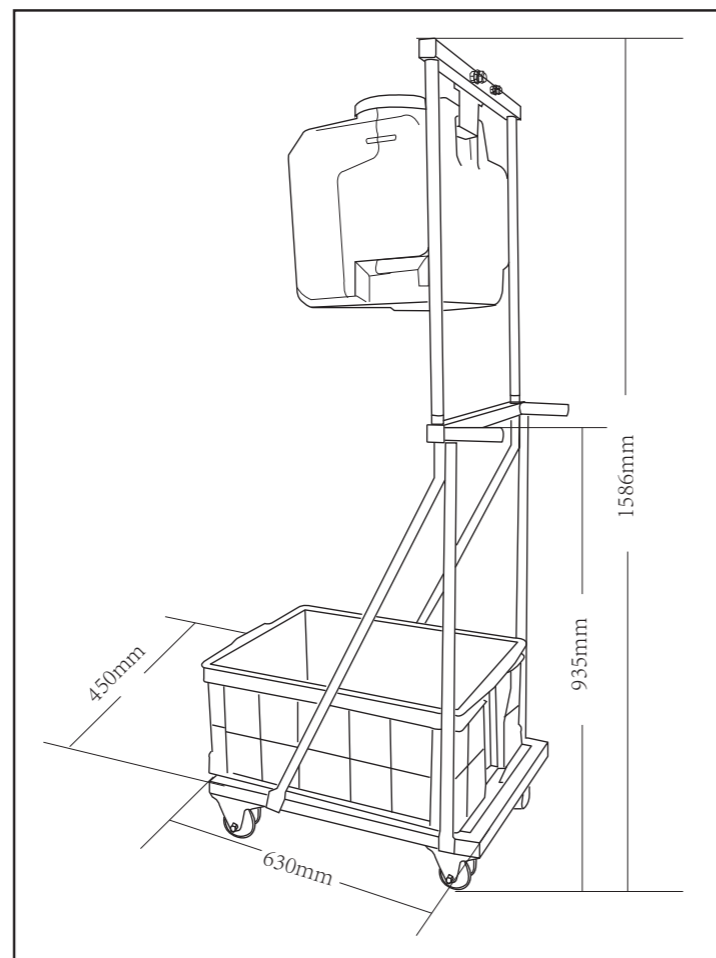
WATER STORAGE: 60L

FLUSHING TIME: >15 minutes

ORIGINAL WATER: Drinking water or saline, and pay attention to quality guarantee period

USING ENVIRONMENT: Places where has no water supply.

Standard: ANSI Z358.1-2014



BD-600B(35L) Handcart Portable Eye Wash

This portable eye wash is made of polyethylene, safe green, suitable for using in the place without water supply, please use drinking or filtered water or saline. And pay attention to regular cleaning, after cleaning refilled with drinking water or saline.

EXTERNAL DIMENSIONS: Water tank 550mm X 370mm X 260mm

HANDCART DIMENSIONS: W450mm x D630mm x H1586mm, with 2 omni-directional wheels, be made of 201 stainless steel

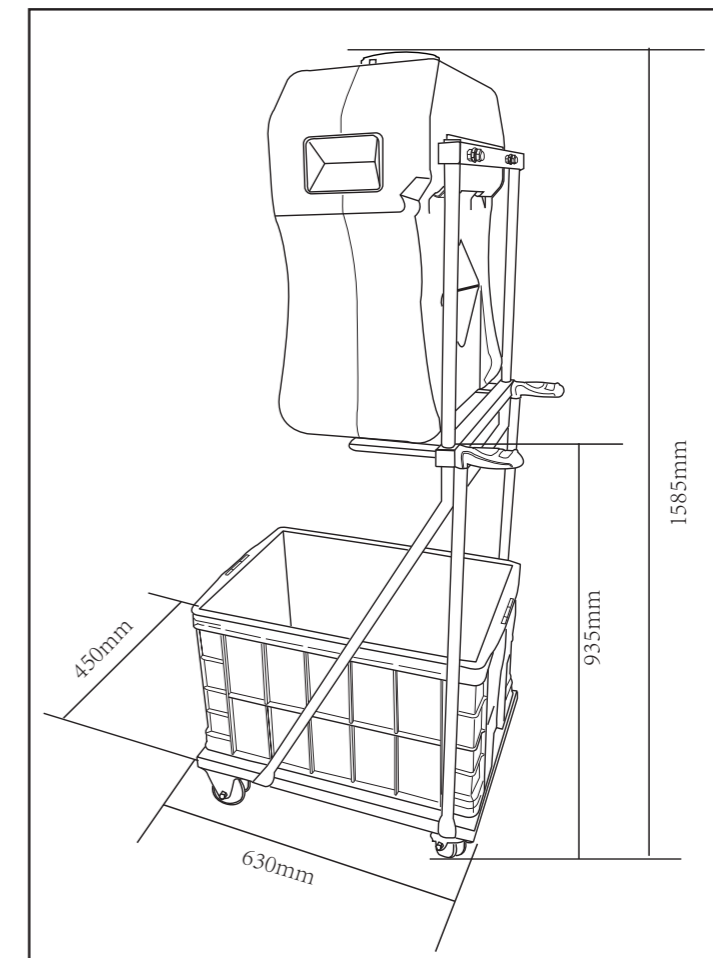
WATER STORAGE: 35L

FLUSHING TIME: > 15 minutes

ORIGINAL WATER: Drinking water or saline, and pay attention to quality guarantee period

USING ENVIRONMENT: Places where has no water supply

Standard: ANSI Z358.1-2014



BD-600B(60L) Handcart Portable Eye Wash

This portable eye wash is made of polyethylene, safe green, suitable for using in the place without water supply, please use drinking or filtered water or saline. And pay attention to regular cleaning, after cleaning refilled with drinking water or saline.

EXTERNAL DIMENSIONS: Water tank W540mm X D255mm X H650mm

HANDCART DIMENSIONS: H1420mm X W450mm X T630mm, with 2 omni-directional wheels, be made of 201 stainless steel

WATER STORAGE: 60L

FLUSHING TIME: > 15 minutes

ORIGINAL WATER: Drinking water or saline, and pay attention to quality guarantee period

USING ENVIRONMENT: Places where has no water supply

Standard: ANSI Z358.1-2014



BD-601 Rapid Response Portable Decontamination Shower

Specifically for the firefighters and accidents need to emergency cleaning, supply water by pressurized pump, the water pressure can reach 1.56MPA high pressure, can quickly clear the hazardous on the protective clothing or chemical protective clothing, easy to assemble and carry.

Customers need to use their own pump, recommend pump power: 1.1KW.

DIMENSIONS: W1200mm X D1200mm X H2200mm

THE FRAMEWORK MATERIAL: High quality stainless steel

ENCLOSURE MATERIAL: Double adhesive waterproof cloth

SUPPLY: 1 1/4" FNPT

PRESSURE: 0.8MPA~1.5MPA

FLOW RATE: 180L/Min

Standard: ANSI Z358.1-2014



BD-602 Rapid Response Portable Decontamination Shower

The 304 stainless steel flushing room is specially designed for special environments. It can be used not only for flushing, eye washing, waste water recycling, but also without polluting the environment. Moreover, it hides privacy and is very suitable for clean environments and environments with special needs. It can be added with antifreeze function according to customer requirements, which is beautiful and neat.

DIMENSIONS: W900mm X D1200mm X H2500mm **HEAD:** 10" 304 stainless steel

EYE WASH NOZZLE: Green ABS spraying with 10" waste water recycle bowl **SHOWER VALVE:** 1" 304 stainless steel ball valve

EYE WASH VALVE: 1/2" 304 stainless steel ball valve **SUPPLY:** 1 1/4" MNPT **WASTE:** 1 1/4" FNPT

EYE WASH FLOW \geq 11.4 L/Min, **SHOWER FLOW** \geq 75.7 L/Min

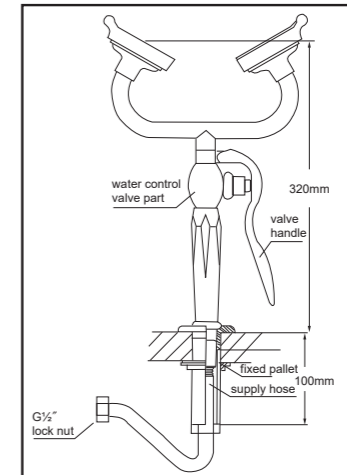
HYDRAULIC PRESSURE: 0.2MPA-0.8MPA **ORIGINAL WATER:** Drinking water or filtered water

USING ENVIRONMENT: Places where has hazardous substance splashing, such as chemicals, hazardous liquids, solid, gas and so on.

SPECIAL NOTE: If the acid concentration is too high, recommend to use 316 stainless steel.

Standard: ANSI Z358.1-2014

Deck Mounted Eye Wash



BD-504 Double Heads Deck Mounted Eye Wash

The eye wash station with delicate design is suitable for emergency washing in medical, laboratory and some public places. The main body is thick copper, the coating uses high brightness thick plating, corrosion resistance, heat resistance and anti-ultraviolet radiation.

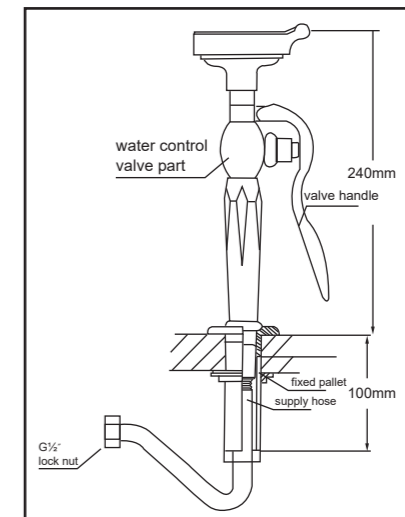
SWITCH: Water flow starts within 1 second, easy to use.

FLOW: ≥ 11.4 L/min **HEIGHT:** 300mm from deck

HOSE: Length 1.5m, soft PVC pipe covered with stainless steel mesh

PRESSURE: 0.2MPa~0.4MPa **INTERFACE:** 1/2" FNPT

Standard: ANSI Z358.1-2014



BD-505 Single Head Deck Mounted Eye Wash

The eye wash station with delicate design is suitable for emergency washing in medical, laboratory and some public places. The main body is thick copper, the coating uses high brightness thick plating, corrosion resistance, heat resistance and anti-ultraviolet radiation.

SWITCH: Water flow starts within 1 second, easy to use.

FLOW: ≥ 11.4 L/min **HEIGHT:** 300mm from deck

HOSE: Length 1.5m, soft PVC pipe covered with stainless steel mesh

PRESSURE: 0.2MPa~0.4MPa **INTERFACE:** 1/2" FNPT

Standard: ANSI Z358.1-2014



BD-506 Faucet-mounted Eye Wash

Eye Wash is widely used in laboratories and occasions exposed to acids, alkalis, organic matter and other toxic and corrosive substances. It has multiple functions such as eye washing and facial washing. It can be used as laboratory water supply and in case of accidents, it is the necessary equipment which can be quickly washed to reduce the damage to the minimum.

NOMINAL PRESSURE : 0.4 Mpa

SEALING PRESSURE : 0.45 Mpa

WORK PRESSURE : 0.2~0.4 Mpa

FLOW RATE : ≥11.4L/min

APPLICABLE CONDITIONS : Pure water at normal temperature or water that meets 0.4 0.45 0.2~0.4 sanitary standards

Standard: ANSI Z358.1-2014



BD-507 Faucet-mounted Eye Wash

Eye Wash is widely used in laboratories and occasions exposed to acids, alkalis, organic matter and other toxic and corrosive substances. It has multiple functions such as eye washing and facial washing. It can be used as laboratory water supply and in case of accidents, it is the necessary equipment which can be quickly washed to reduce the damage to the minimum.

NOMINAL PRESSURE : 0.4 Mpa

SEALING PRESSURE : 0.45 Mpa

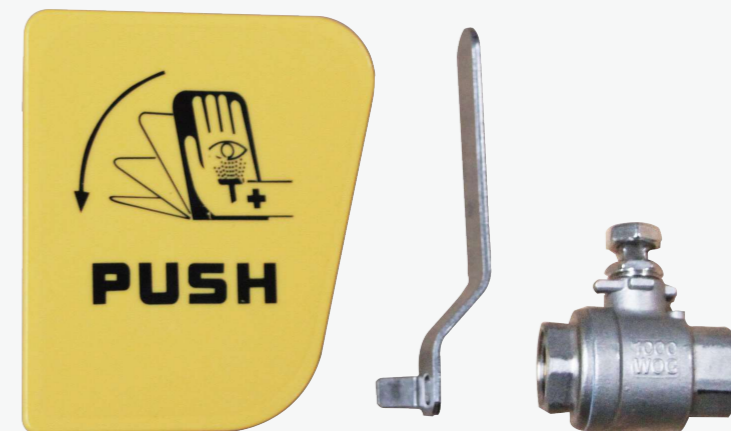
WORK PRESSURE : 0.2~0.4 Mpa

FLOW RATE : ≥11.4L/min

APPLICABLE CONDITIONS : Pure water at normal temperature or water that meets 0.4 0.45 0.2~0.4 sanitary standards

Standard: ANSI Z358.1-2014

Accessories



SHOWER BASIN

BL0203004
304 STAINLESS
STEEL SHOWER BASIN



BL0203013
ABS SHOWER BASIN



EYE WASH BASIN

BL0203005
304 STAINLESS STEEL
EYE WASH BASIN



BL0203014
ABS EYE WASH BASIN



PUNCHING EYES

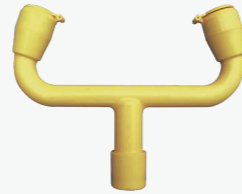
BL0203002
STAINLESS STEEL PUNCH



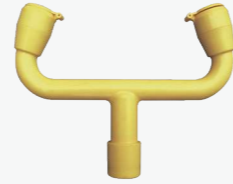
BL0203019
ALL STAINLESS STEEL PUNCH



BL0203010
FOR BD-510, BD-540B ONLY
1/2" ABS YELLOW CHONG EYE HEAD



BL0203011
3/8" ABS YELLOW CHONG EYE HEAD



PUNCHING EYES

BL0102048
PUNCH HEAD COVER



YL1005083
PUNCH HEAD
COVER BALL CHAIN
(GIFT)



BL0203022
3/8" BIG PUNCH



BL0203023
3/8" BIG PUNCH

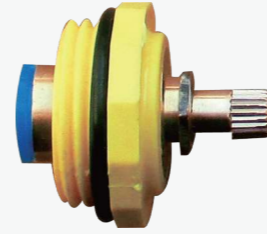


XB0201084
FOR BD-510, BD-540B ONLY
1/2" BIG PUNCH



HAND PUSH BOARD

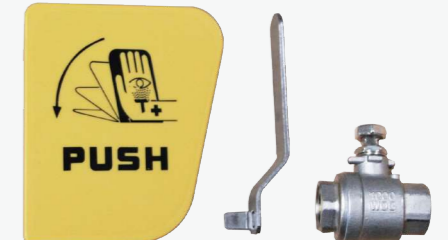
BL0203085
BD-510, BD-540B
DEDICATED PUSH BOARD



BL0102031
BD-510, BD-540B
DEDICATED PUSH BOARD



BL0203088
HAND PUSH BOARD



HAND LEVER

BL0203001



FLUSH FUNNEL

BD-501



FOOT PEDAL

BL0203015



(GIFT)
Y0601063